

Material:

Housing: 30% Glass filled PBT UL94V-0.

Contacts: Brass.

Plating: Gold plated.

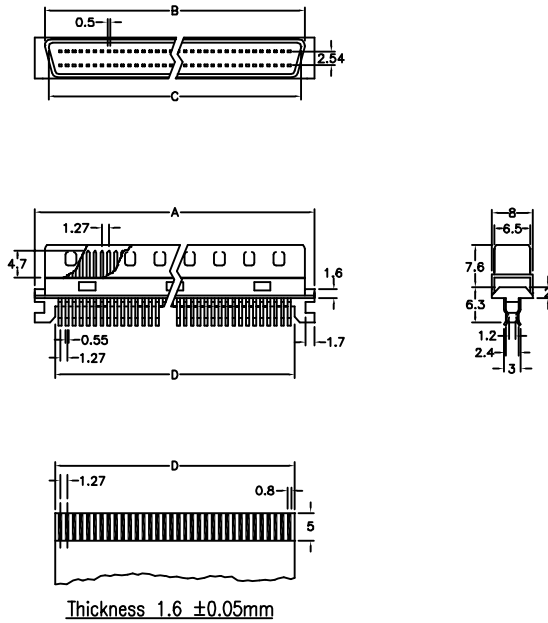
Electrical Characteristics:

Current Rating: 1 AMP.

Insulator Resistance: 1000MΩmin. at DC 500V.

Contact Resistance: 30mΩmax. at DC 100mA.

Operating Temperature: -55°C~+105°C.



Position	Dimension			
	A	B	C	D
50	39.70	36.15	34.85	32.40
68	51.41	47.58	46.28	43.84

Ordering information

SC04- 50 M 3
 Series Position M: Male 3: Selective Gold Plated