

REV.	SPECIFICATION	ECN NO.	APPD.
A8			

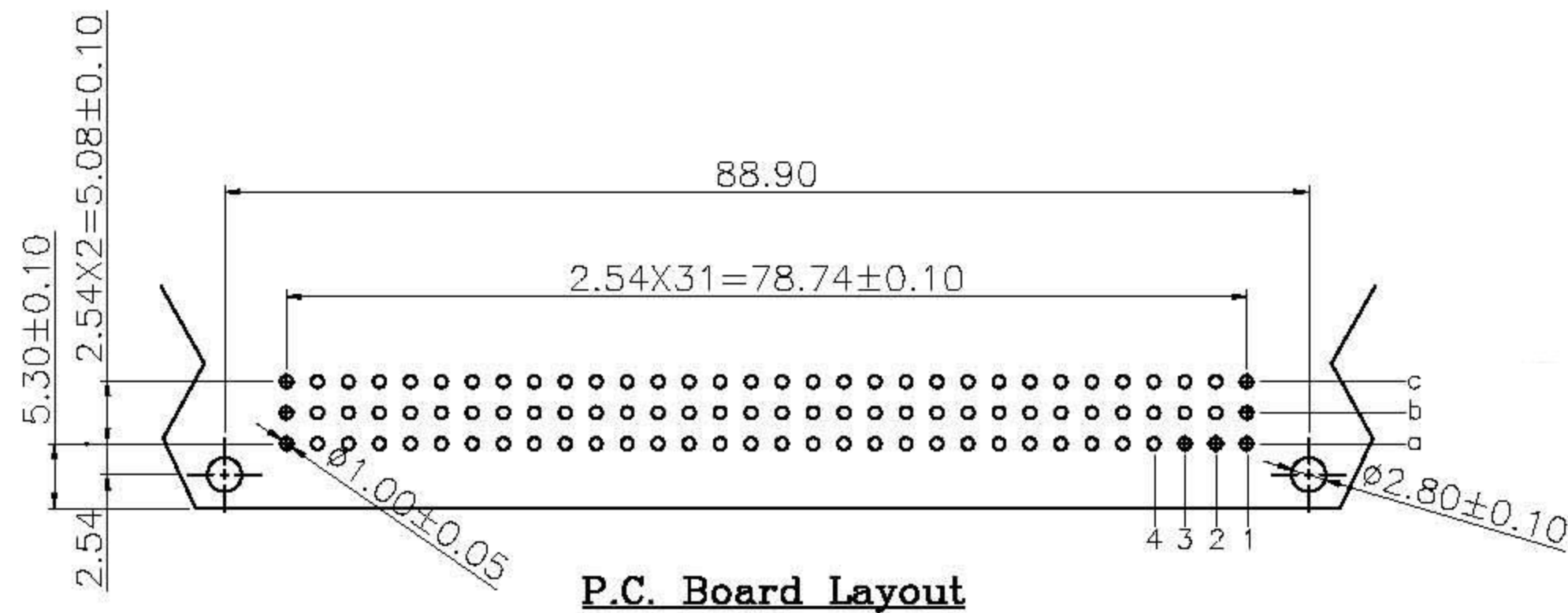
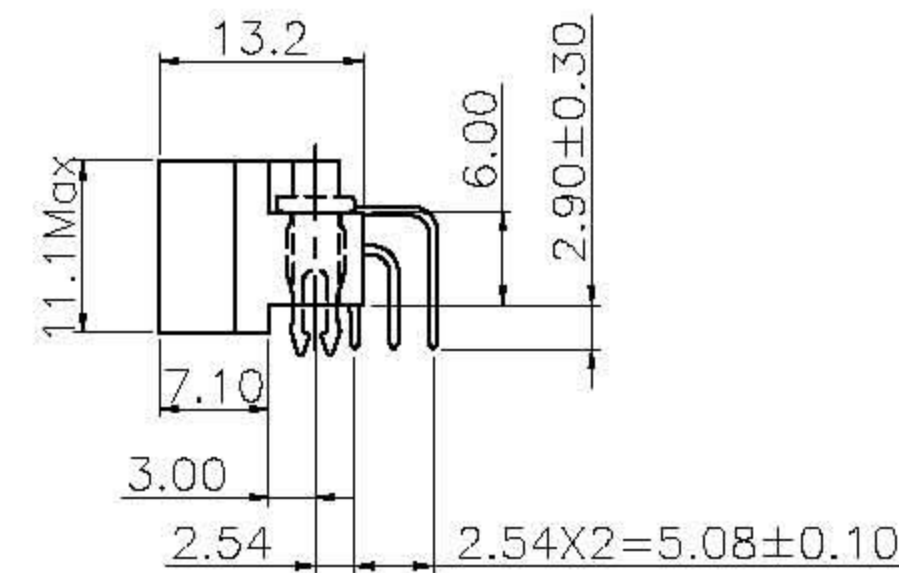
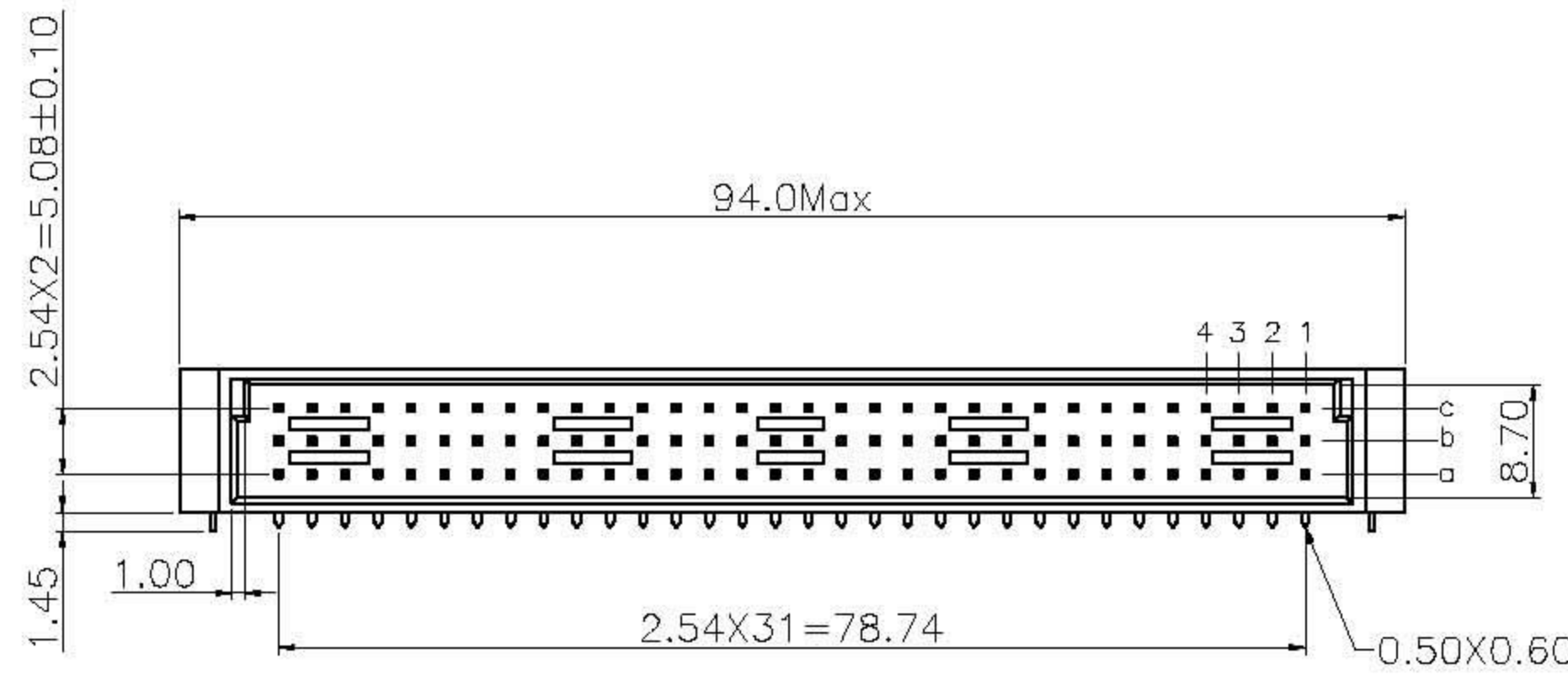
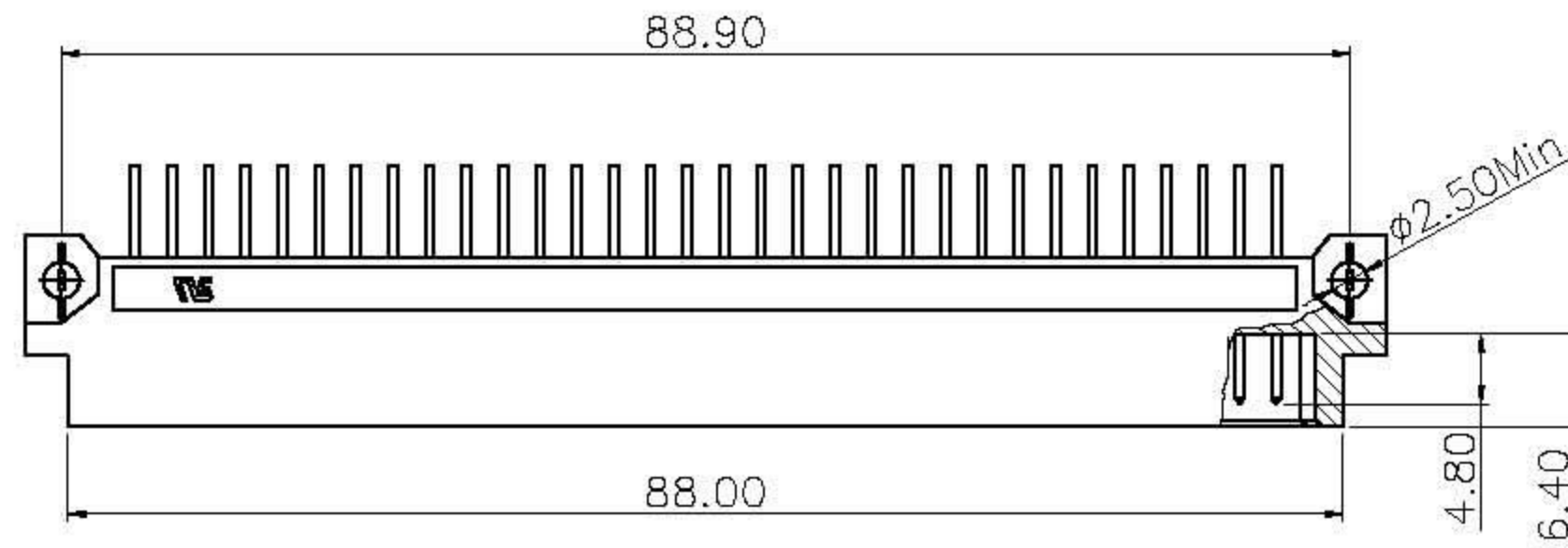
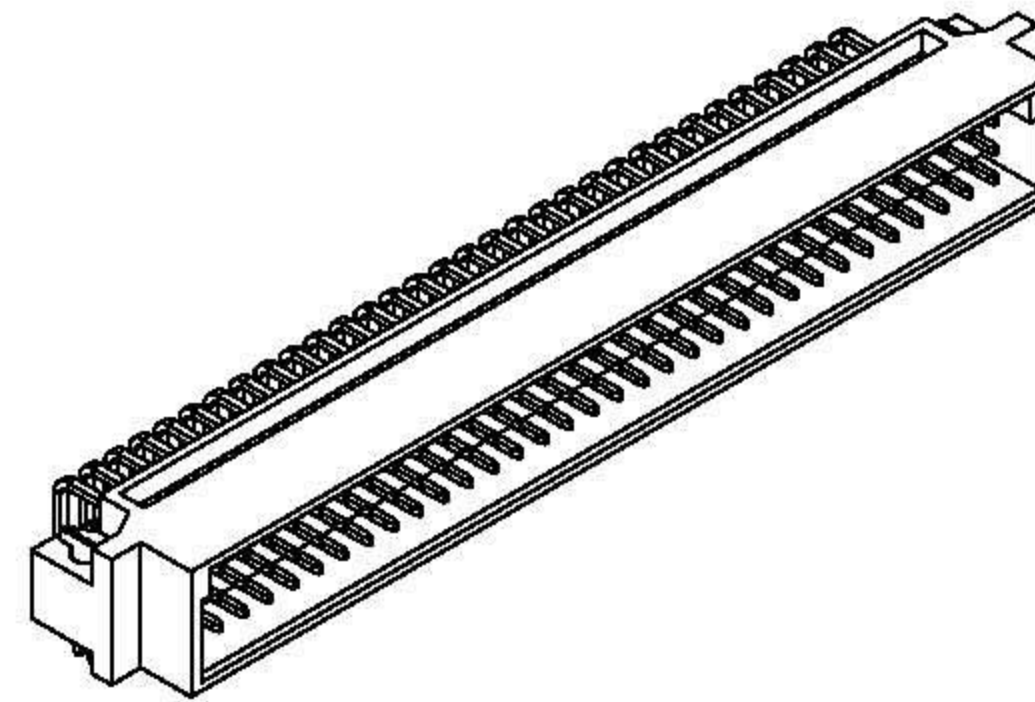
**Material:**

Housing: 30% Glass filled PBT UL94V-0.  
 Contacts: Brass.  
 Lock: Phosphor Bronze.

**Electrical Characteristics:**

Current Rating: 2 AMP.  
 Dielectric Withstanding Voltage: AC 1000V For 1 minute.  
 Insulator Resistance: 1000MΩ min. at DC 500V.  
 Contact Resistance: 30mΩ max. at DC 100mA.  
 Operating Temperature: -55°C~+105°C .

**\*RoHS Compliant**



Pitch	Position	Rows with Contacts	Contact Arrange	P/N
2.54mm	96	a b c		DIN-396M200A
	64	a - c		DIN-364M200A

Tolerances	Drawn No.	Title:	
x = ±0.5	Projection		
.x = ±0.25	Unit mm	Scale	1:1
.xx = ±0.15	Drawn By	CHMEI08/03'07	

DIN41612  
C Type Male

GXCON ENTERPRISE CO., LTD

P/N: DIN-396M200A

SHEET	1/1	Ver. No.	A8
-------	-----	----------	----