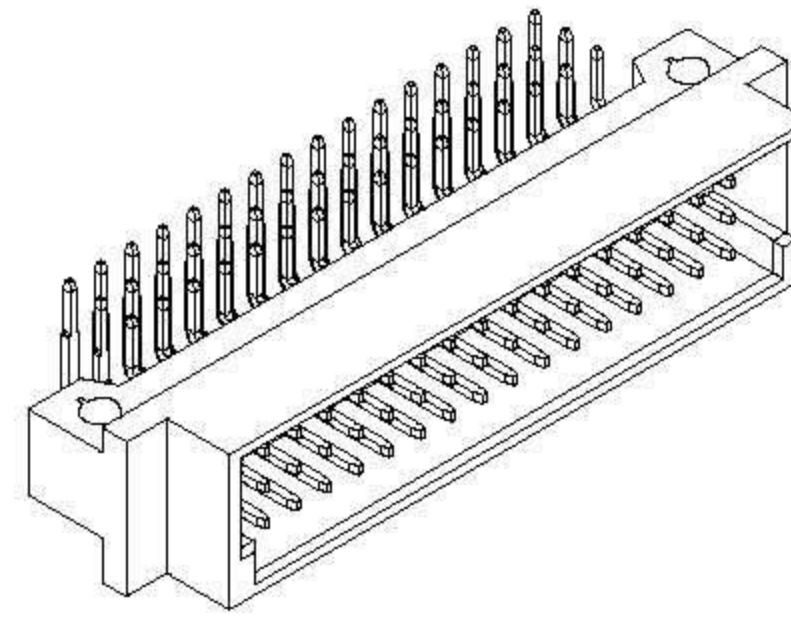
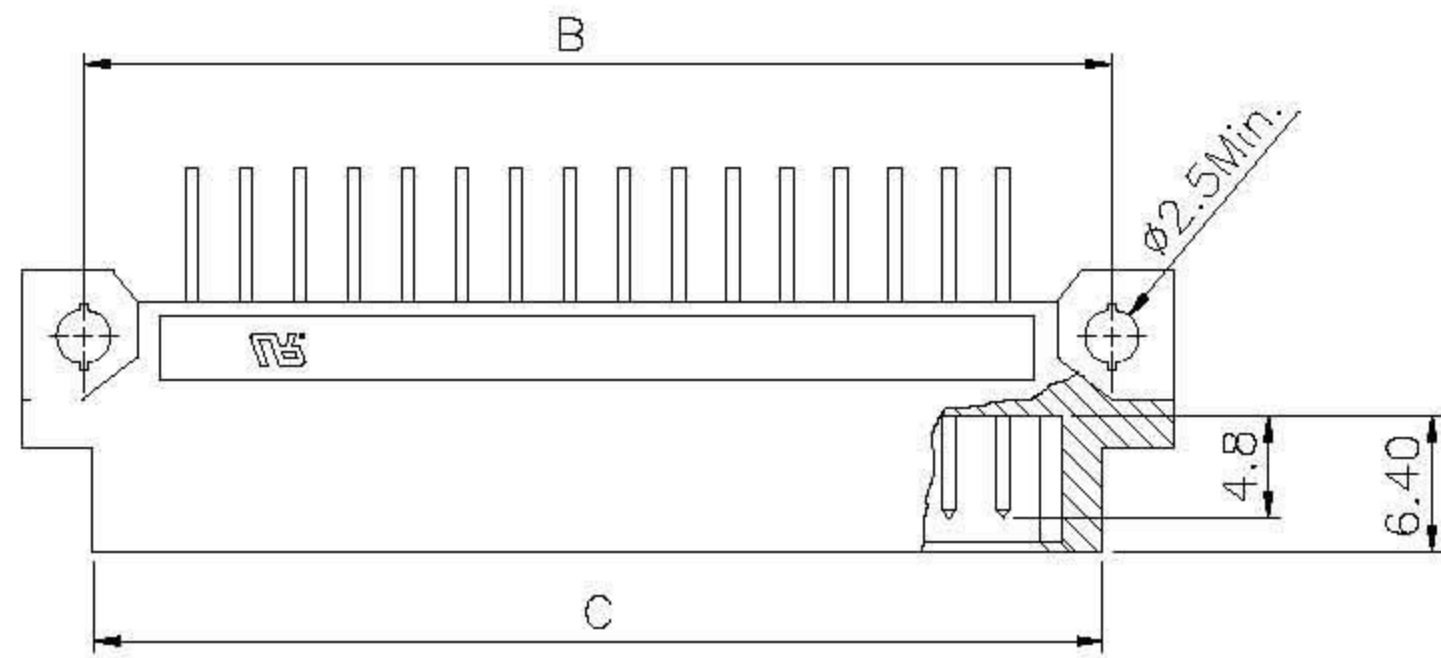


REV.	SPECIFICATION	ECN NO.	APPD.
R1			



Material:

Housing: Thermoplastic Polyester Glass Filled UL94V-0.

Contacts: Copper Alloy.

Electrical Characteristics:

Current Rating: 2 AMP.

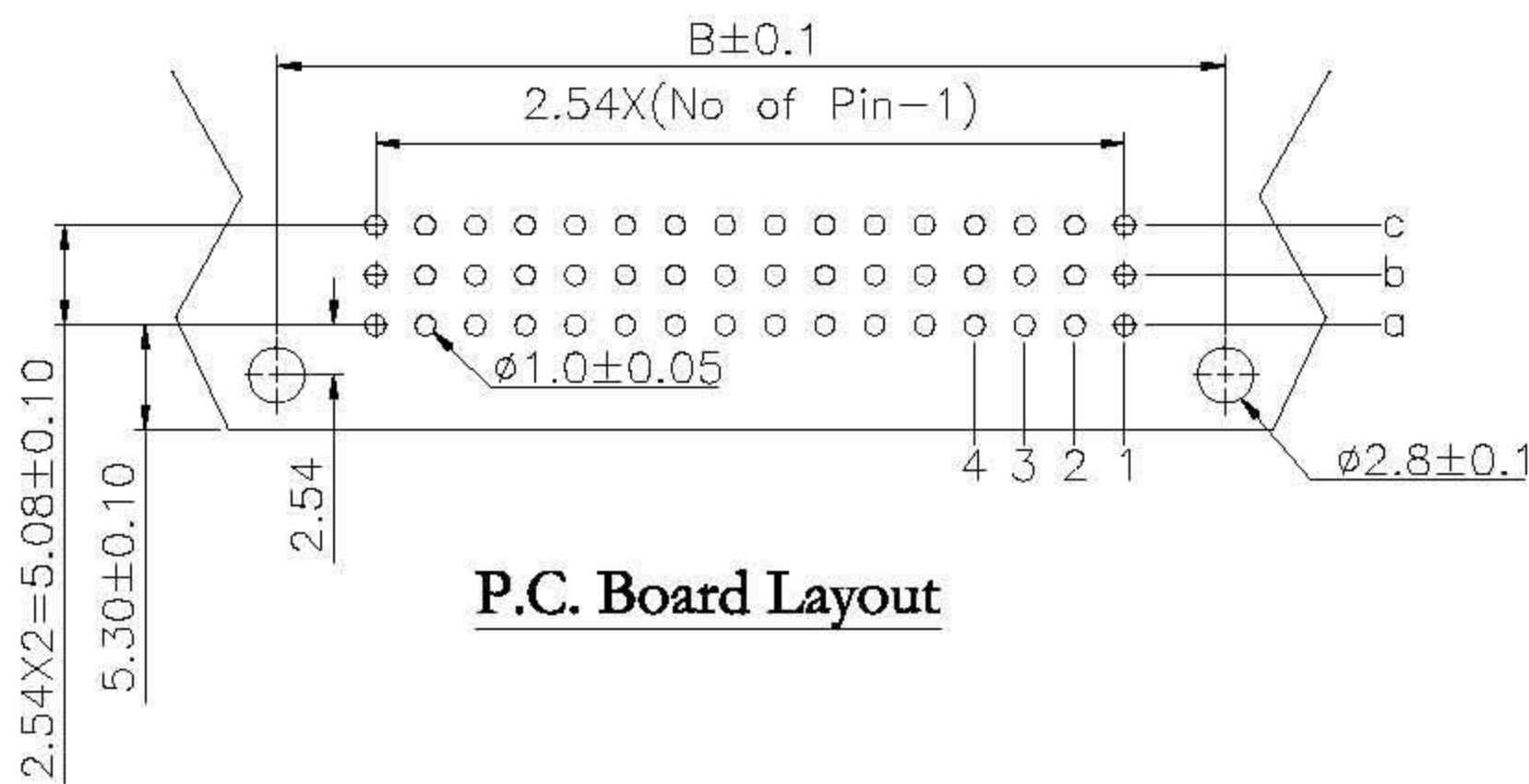
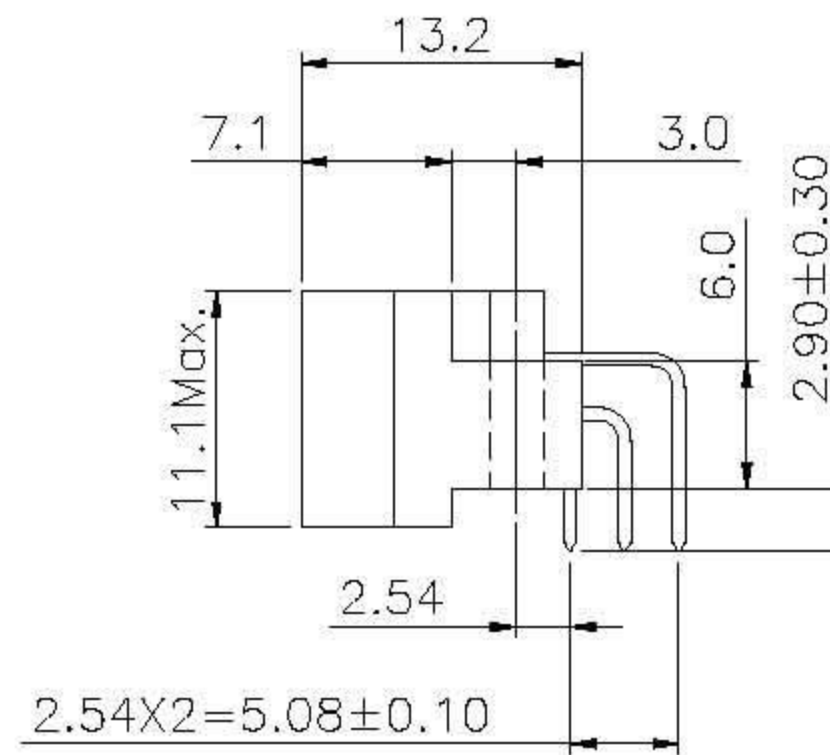
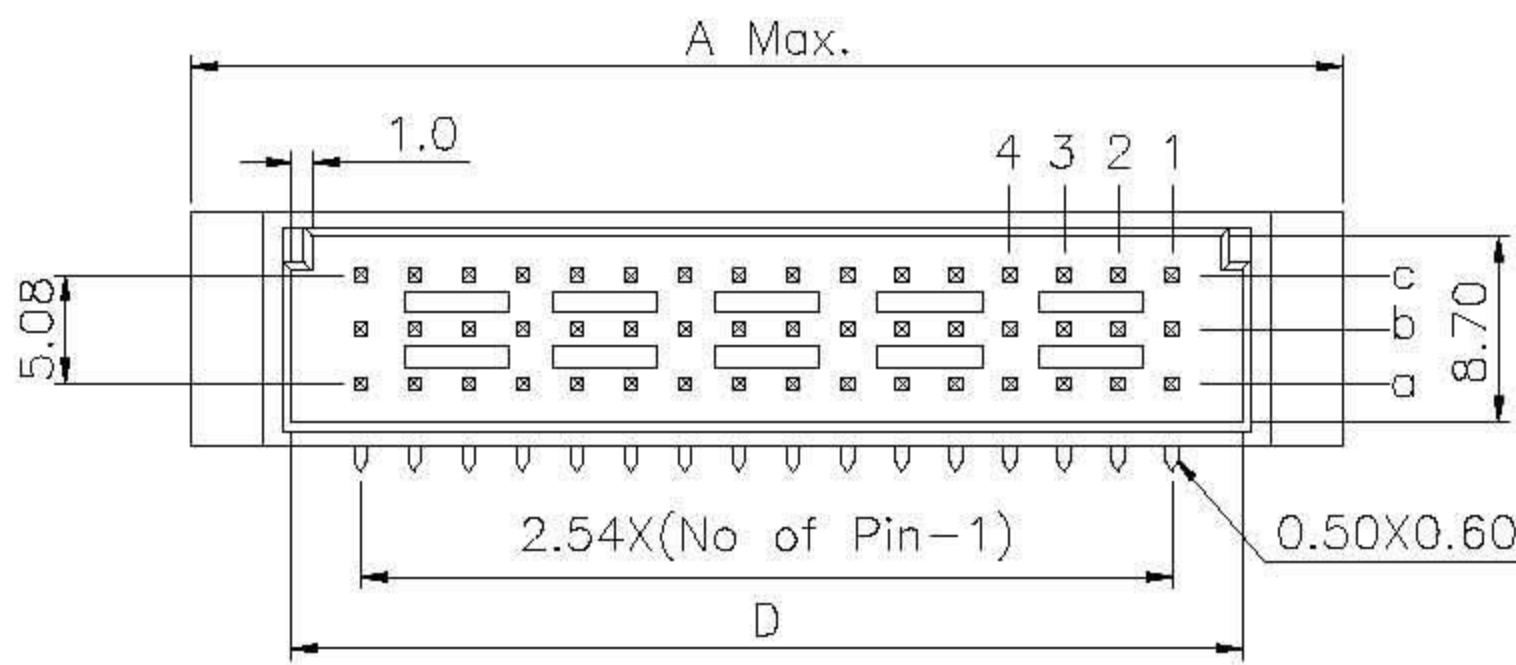
Dielectric Withstanding Voltage: AC 1000V For 1 minute.

Insulator Resistance: 1000MΩmin. at DC 500V.

Contact Resistance: 20mΩmax. at DC 100mA.

Operating Temperature: -55°C ~+125°C.

***RoHS Compliant**



Tolerances	Drawn No.	Title:	
x = ±0.5	Projection	⊕	◁
.x = ±0.25	Unit mm	Scale	1:1
.xx = ±0.15	Drawn By	Rikey 04/01'10	

DIN41612
Half C Male Type

上海国轩电子有限公司			
P/N: DIN-348M200A			
SHEET	1/1	Ver.No.	R1