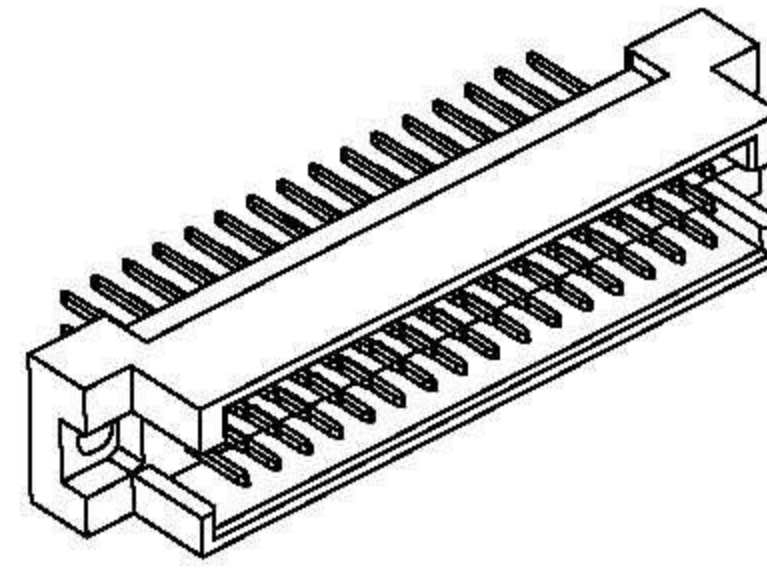
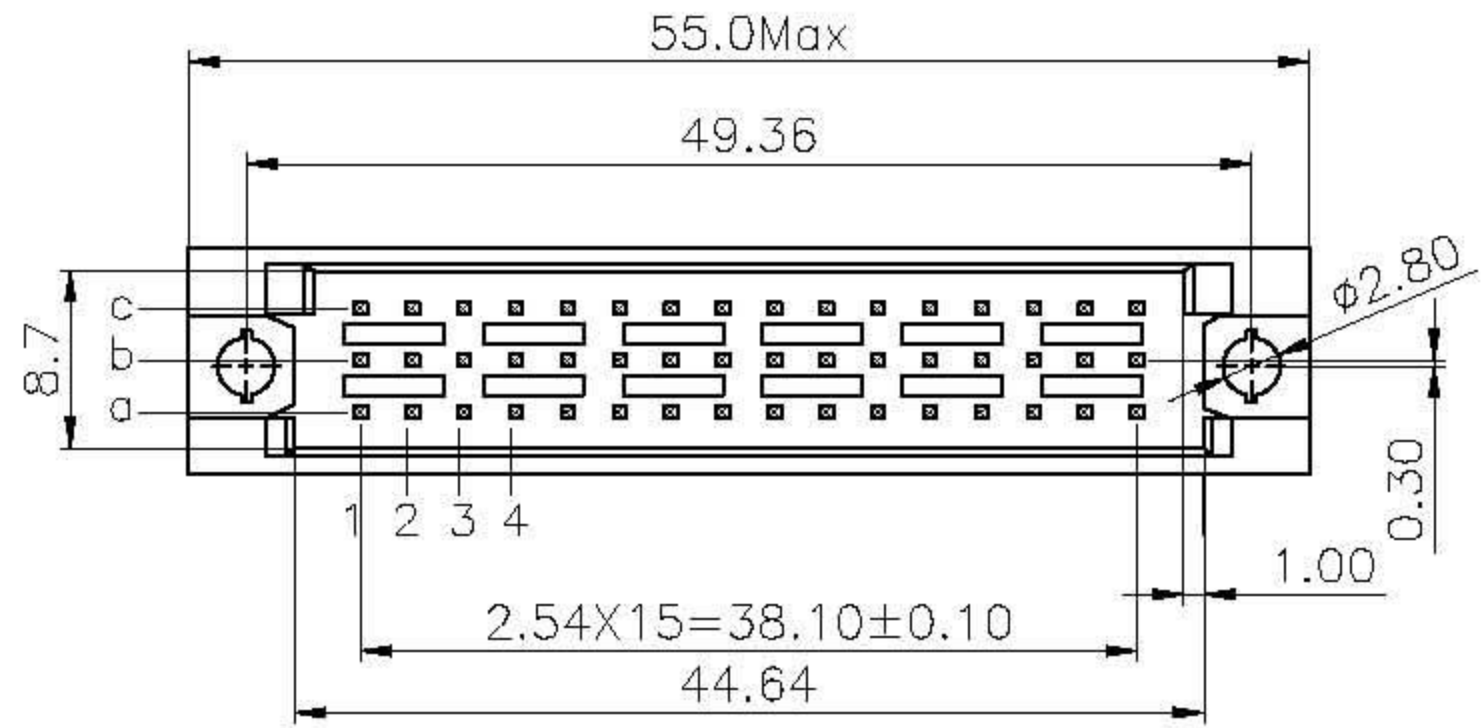


REV.	SPECIFICATION	ECN NO.	APPD.
A6			



Material:

Housing: 30% Glass filled PBT UL94V-0.

Contacts: Brass.

Electrical Characteristics:

Current Rating: 2 AMP.

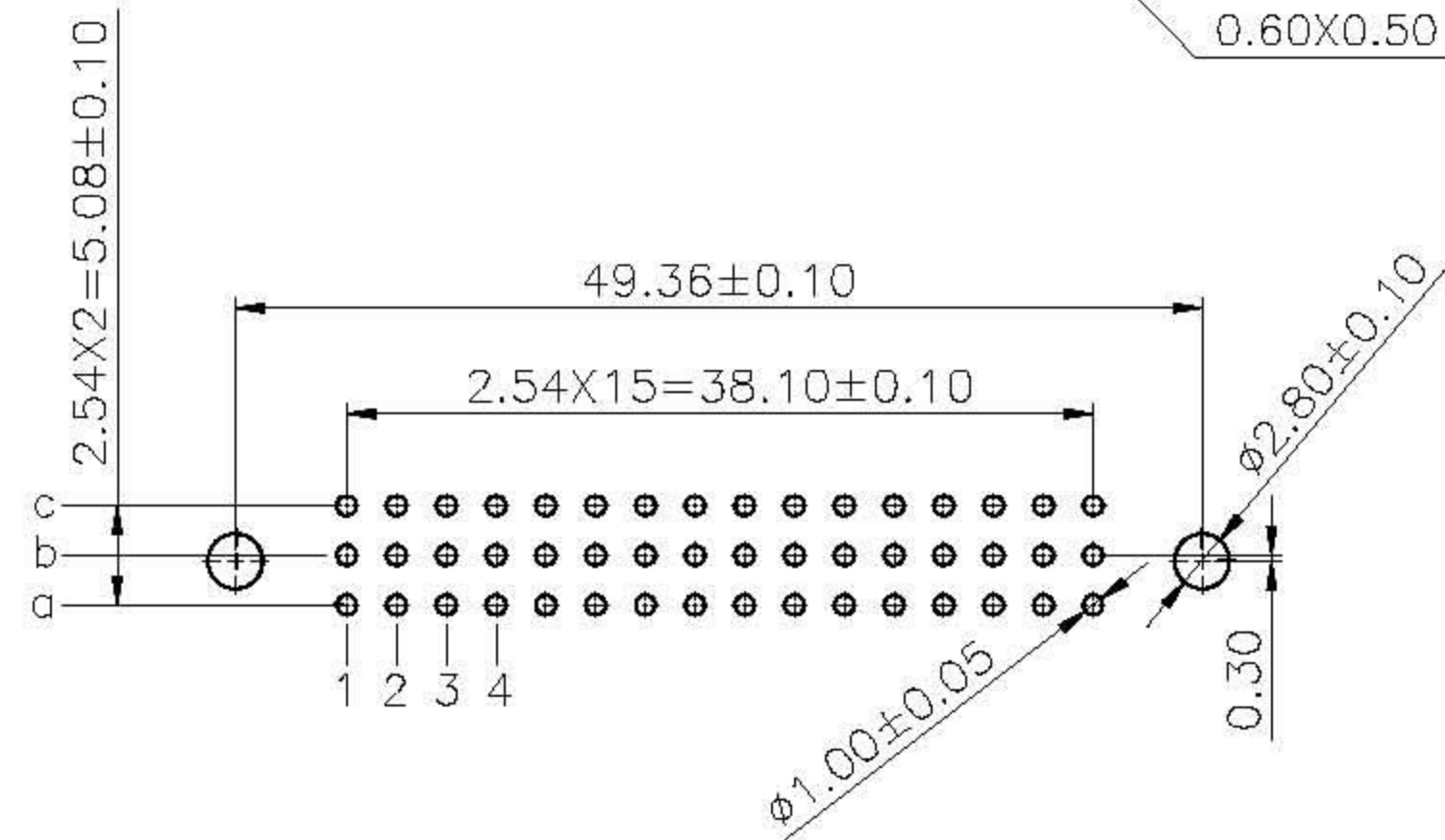
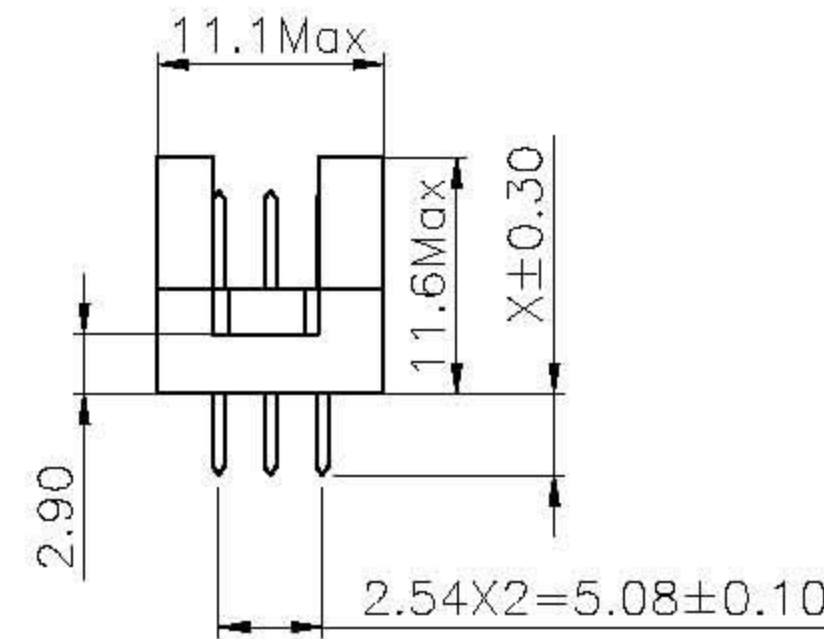
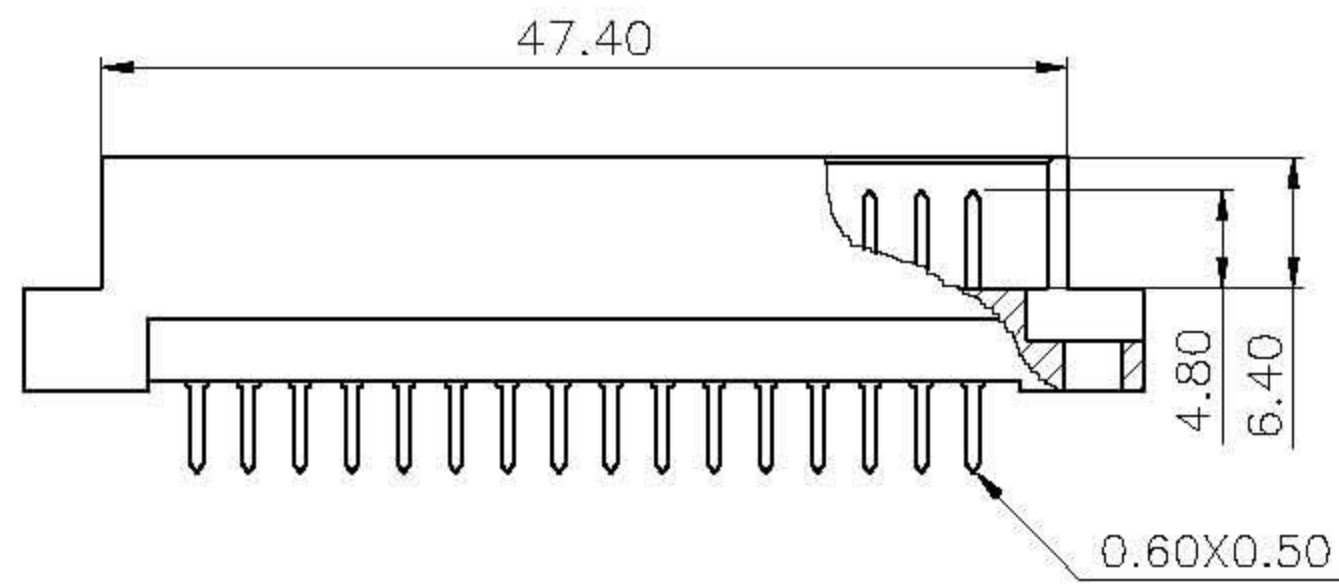
Dielectric Withstanding Voltage: AC 1000V For 1 minute.

Insulator Resistance: 1000MΩ min. at DC 500V.

Contact Resistance: 30mΩ max. at DC 100mA.

Operating Temperature: -55°C ~+105°C .

***RoHS Compliant**



P.C. Board Layout

Tolerances	Drawn No.	Title:		上海国轩电子有限公司			
x = ±0.5	Projection	⊕	⊖				
.x = ±0.25	Unit mm	Scale	1:1	R TYPE Male	P/N: DIN-348M100A		
.xx = ±0.15	Drawn By	FHY12/04'07		SHEET	1/1	Ver.No.	A6