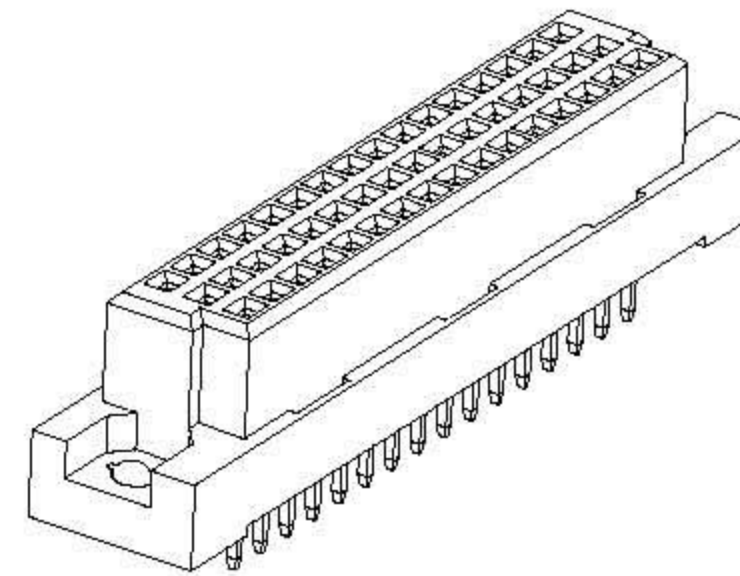
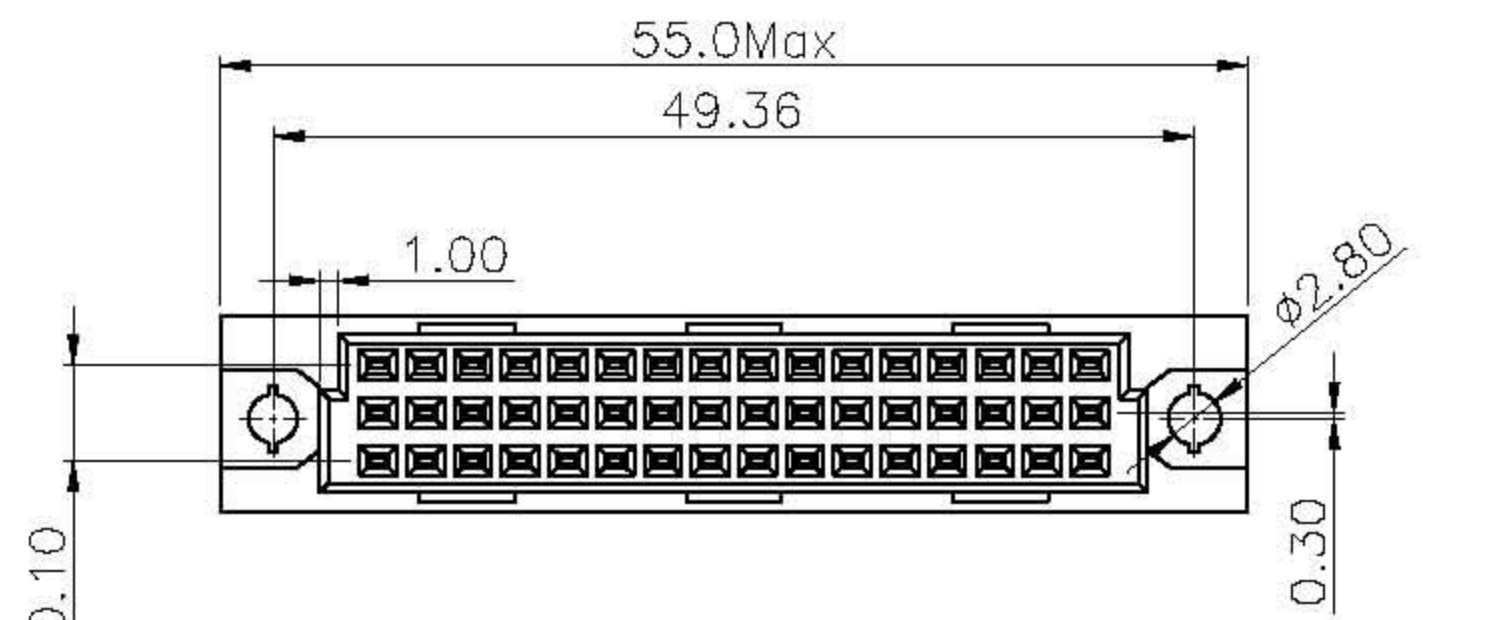


REV.	SPECIFICATION	ECN NO.	APPD.
R1		ECN081218	



Material:

Housing: 30% Glass Filled PBT UL94V-0.

Contacts: Phosphor Bronze.

Electrical Characteristics:

Current Rating: 2 AMP.

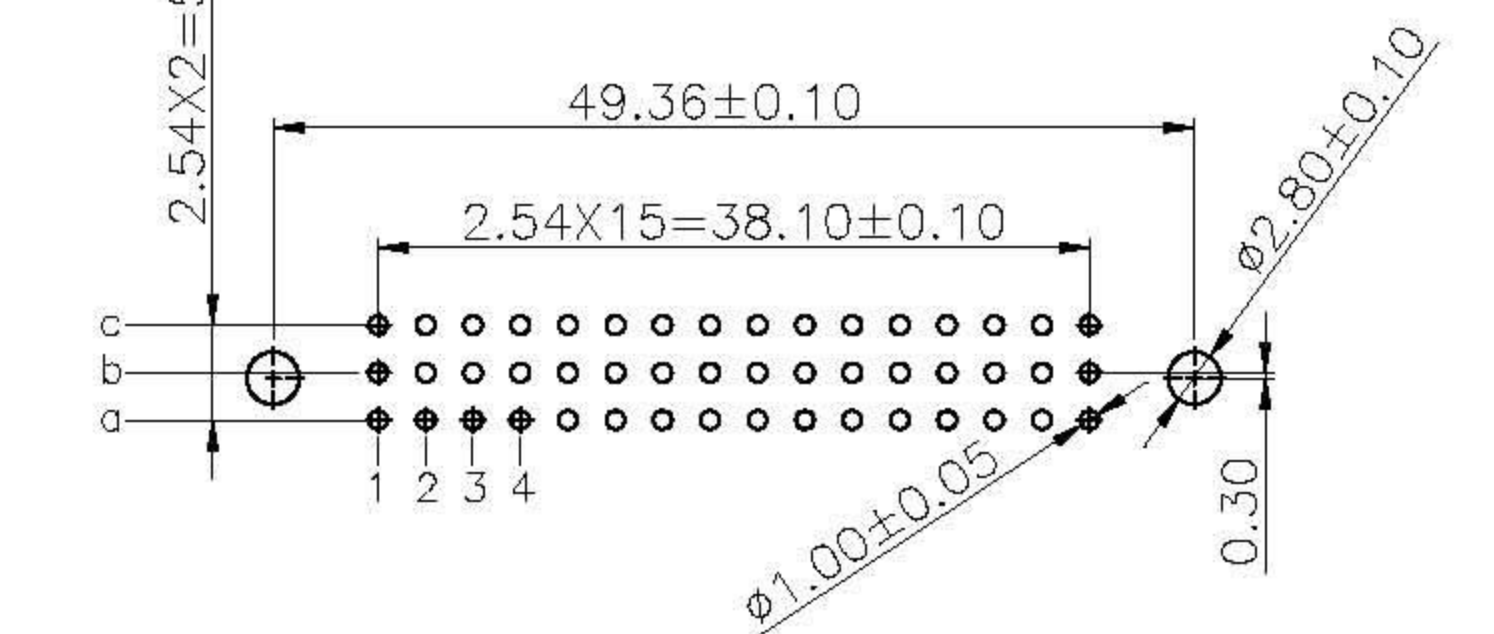
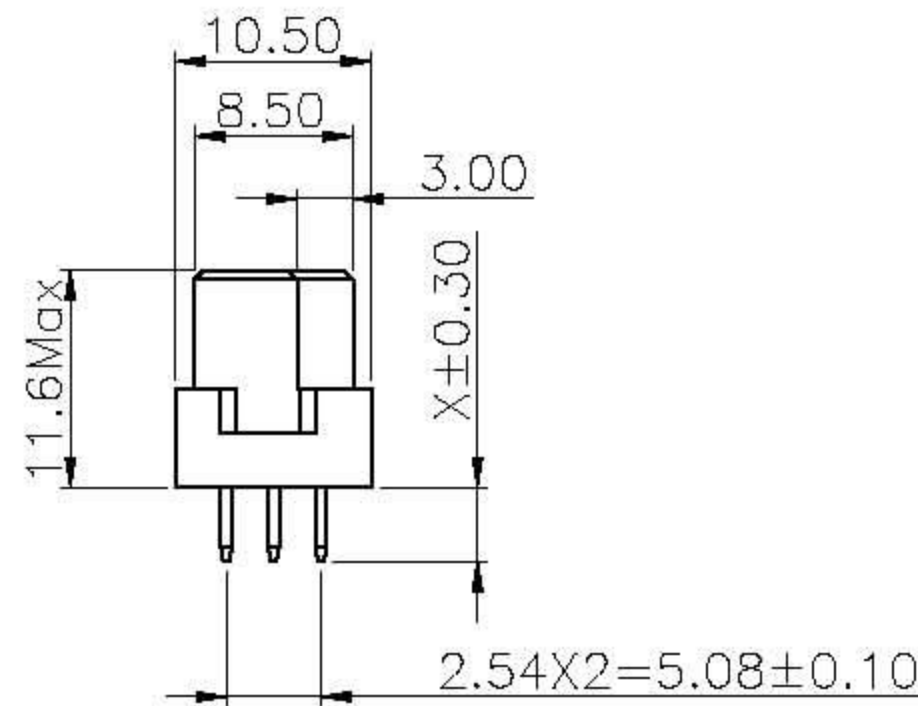
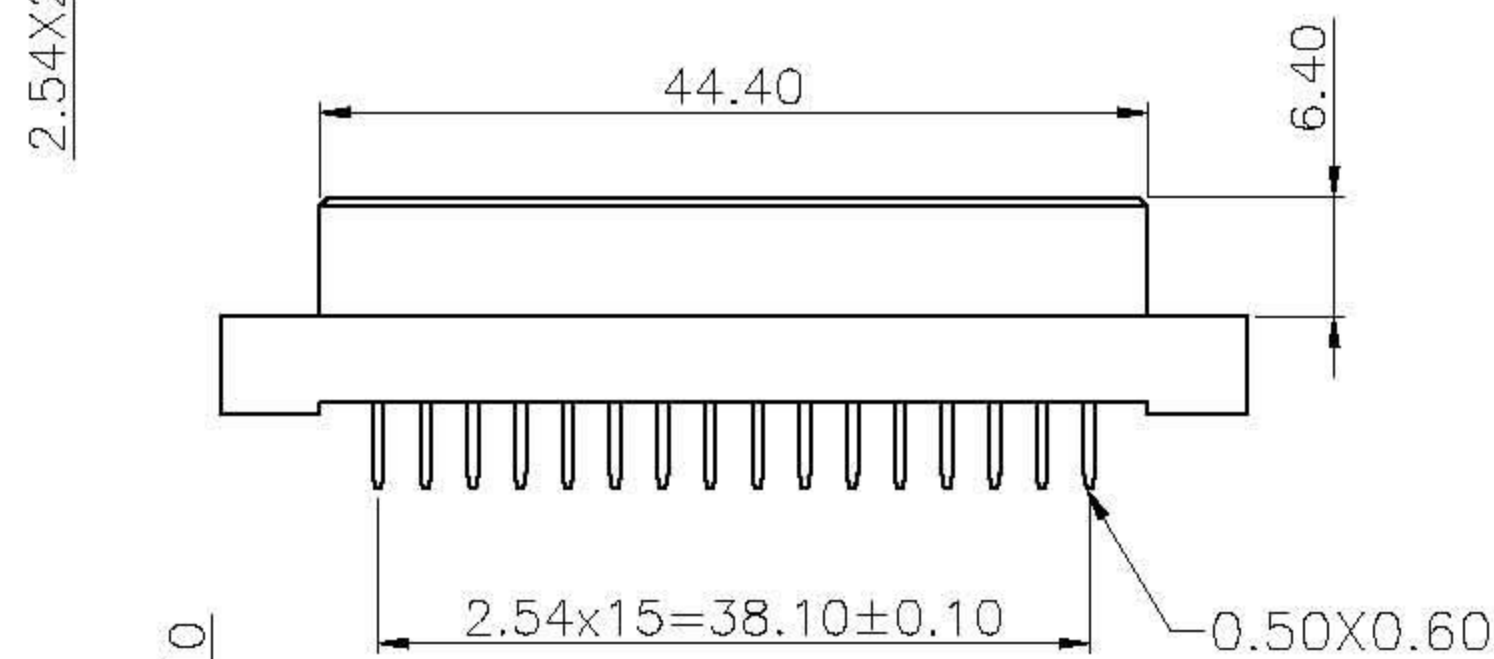
Dielectric Withstanding Voltage: AC 1000V For 1 minute.

Insulator Resistance: 1000MΩ min. at DC 500V.

Contact Resistance: 20mΩ max. at DC 100mA.

Operating Temperature: -55°C ~+125°C .

***RoHS Compliant**



P.C. Board Layout
Tolerance:(± 0.05)

Tolerances	Drawn No.	Title:	
x = ±0.5	Projection	⊕	◁
.x = ±0.25	Unit mm	Scale	1:1
.xx = ±0.15	Drawn By	YP Chen12/13'08	

DIN41612 Half
C Type Female

上海国轩电子有限公司

P/N: DIN-348F100A

SHEET 1/1 Ver.No. R1