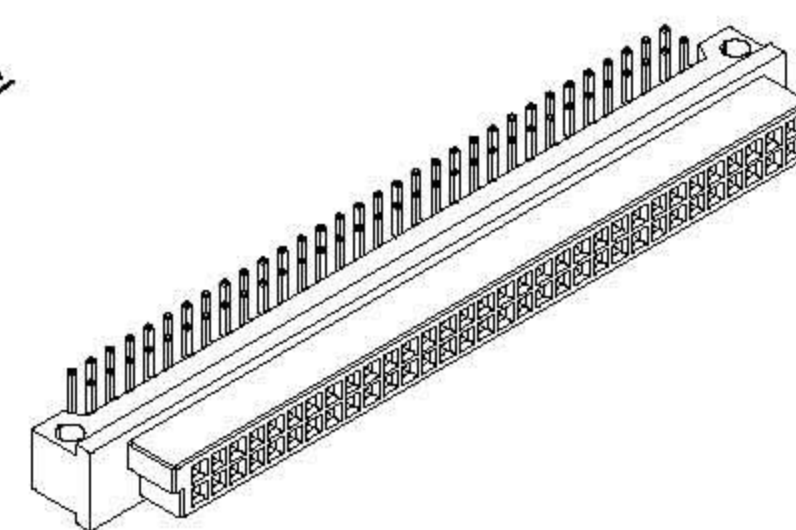
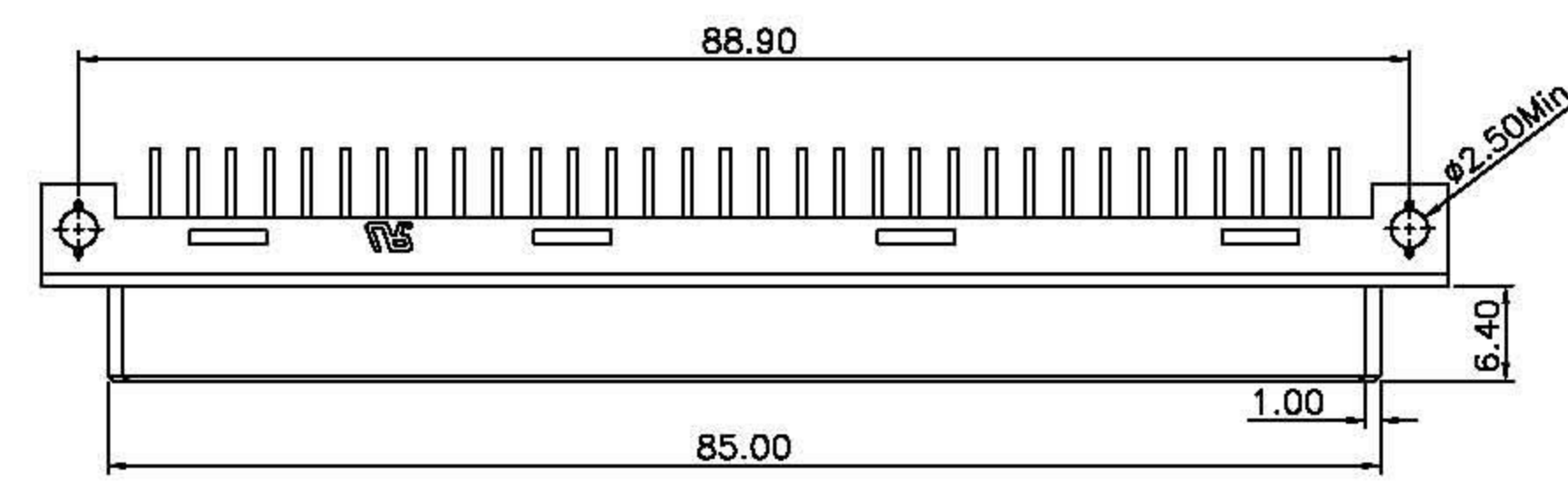
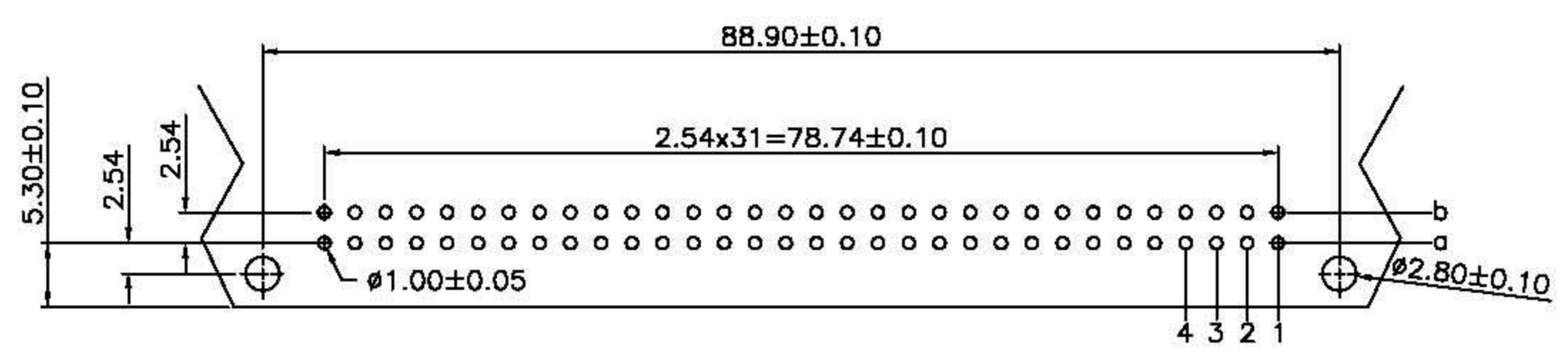
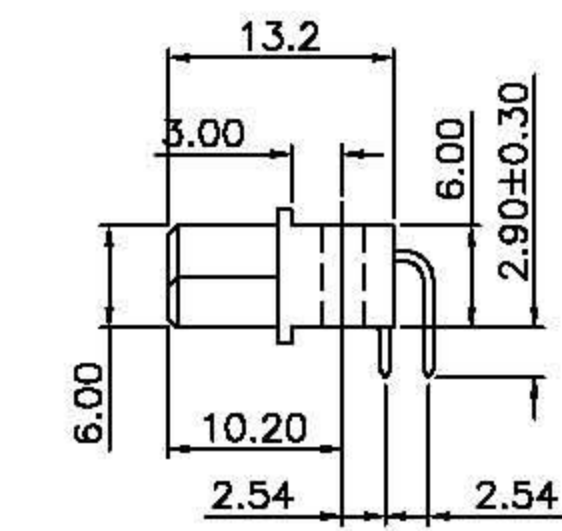
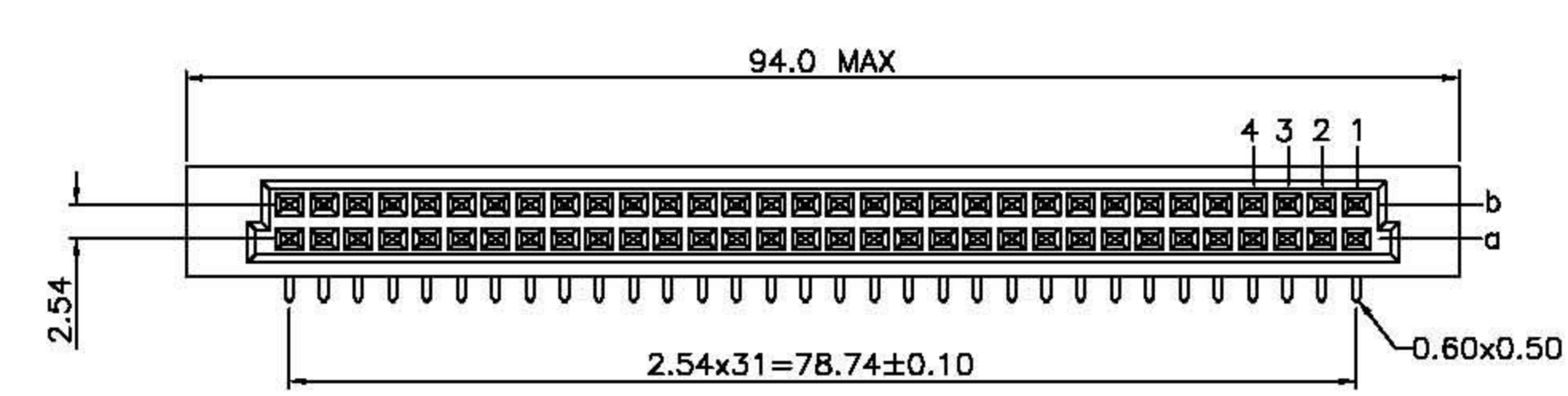


REV.	SPECIFICATION	ECN NO.	APPD.
A5			



Material:
Housing: 30% Glass Filled PBT UL94V-0.
Contacts: Phosphor Bronze.

Electrical Characteristics:
Current Rating: 2 A.
Dielectric Withstanding Voltage: AC 1000V for 1minute.
Insulator Resistance: 1000M Ω min. at DC 500V.
Contact Resistance: 30m Ω max. at DC 100m A.
Operating Temperature: -55°C ~ +105°C .
* **RoHS Compliant**



P.C. Board Layout

.x = ±0.25 .xx = ±0.15	Unit	mm	Scale	1:1	DIN41612 Q type Male	Tolerances Dr			Title:
	Drawn By	Li guihua11/01'07	P/N: DIN-264M100A						
6	7	8	9	10	SHEET	1/1	Ver.No.	A5	1 2 3 4 5