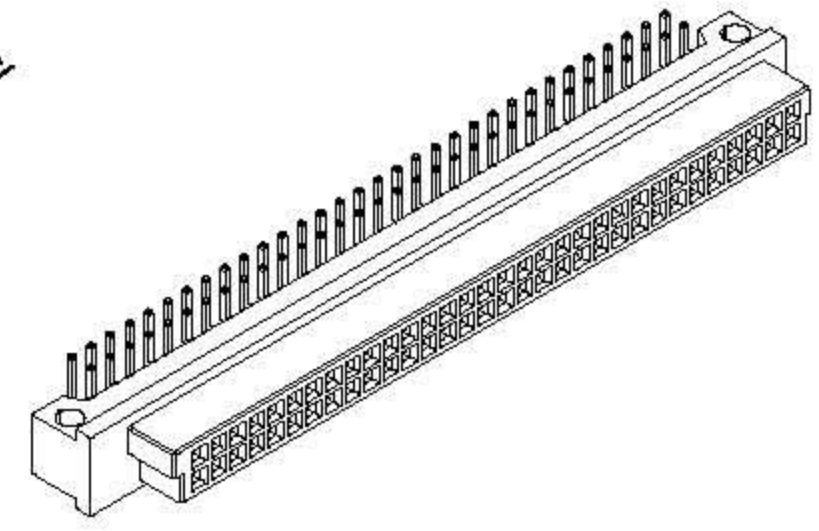
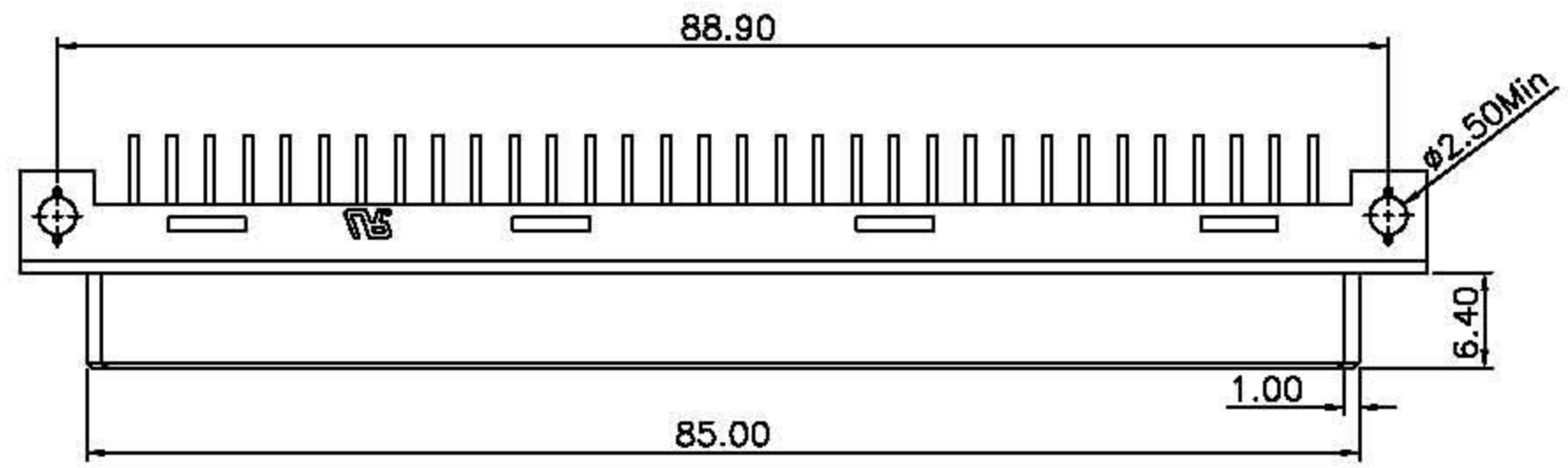


REV.	SPECIFICATION	ECN NO.	APPD.
A5			



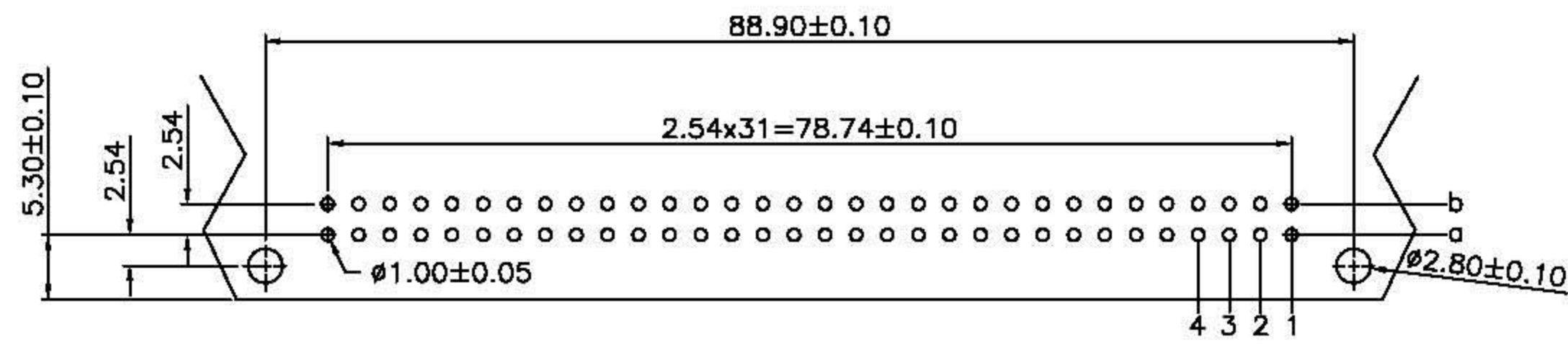
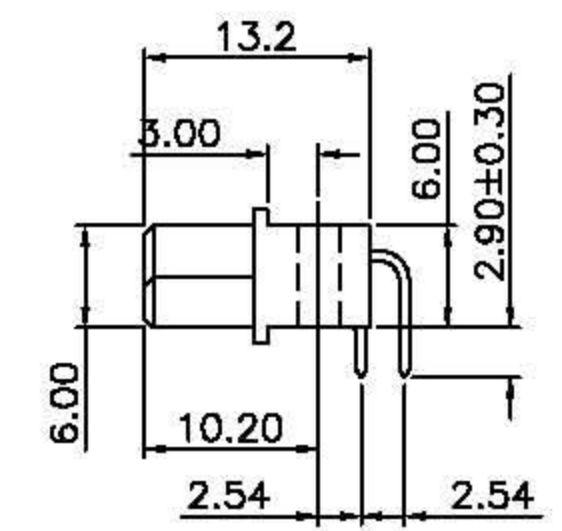
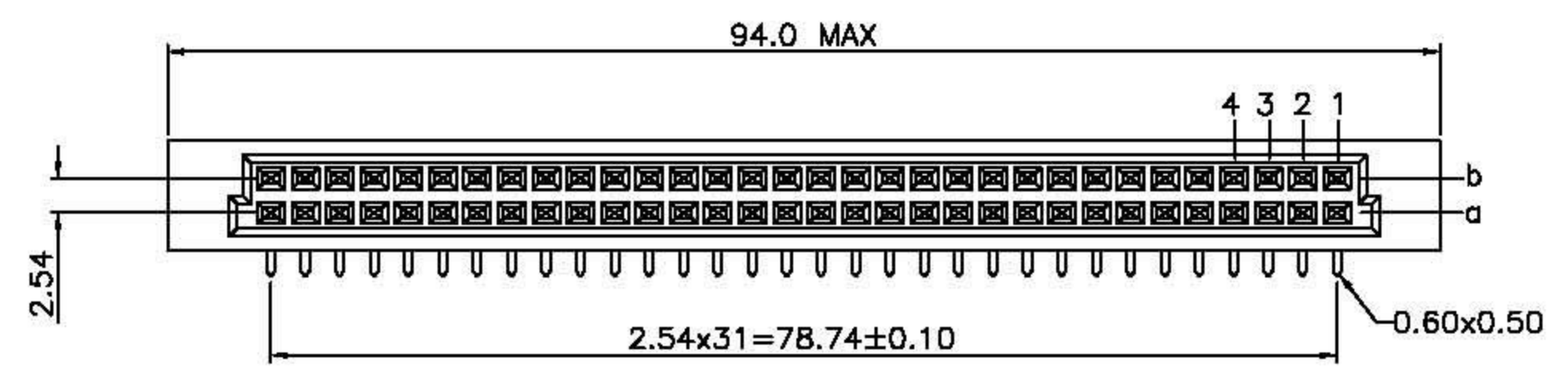
**Material:**

Housing: 30% Glass Filled PBT UL94V-0.  
 Contacts: Phosphor Bronze.

**Electrical Characteristics:**

Current Rating: 2 A.  
 Dielectric Withstanding Voltage: AC 1000V for 1minute.  
 Insulator Resistance: 1000M $\Omega$  min. at DC 500V.  
 Contact Resistance: 30m $\Omega$  max. at DC 100m A.  
 Operating Temperature: -55°C ~ +105°C .

**\* RoHS Compliant**



P.C. Board Layout

Tolerances		Drawn No.	Title:		GXCON ENTERPRISE CO., LTD			
x = ±0.5	Projection		$\oplus$	$\triangleleft$	P/N: DIN-264F200A			
.x = ±0.25	Unit	mm	Scale	1:1	SHEET 1/1 Ver.No. A5			
.xx = ±0.15	Drawn By	liguihua	10/22'07					

DIN41612 Q Type Female