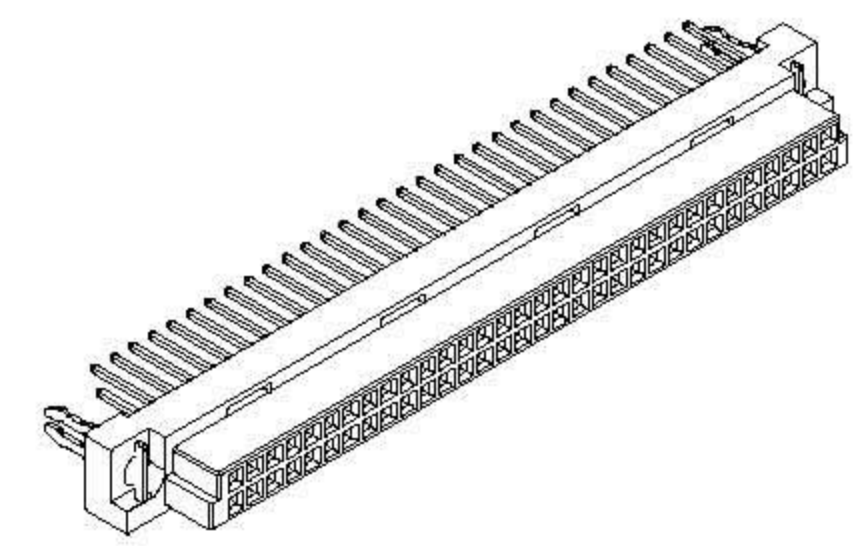


REV.	SPECIFICATION	ECN NO.	APPD.
A4			



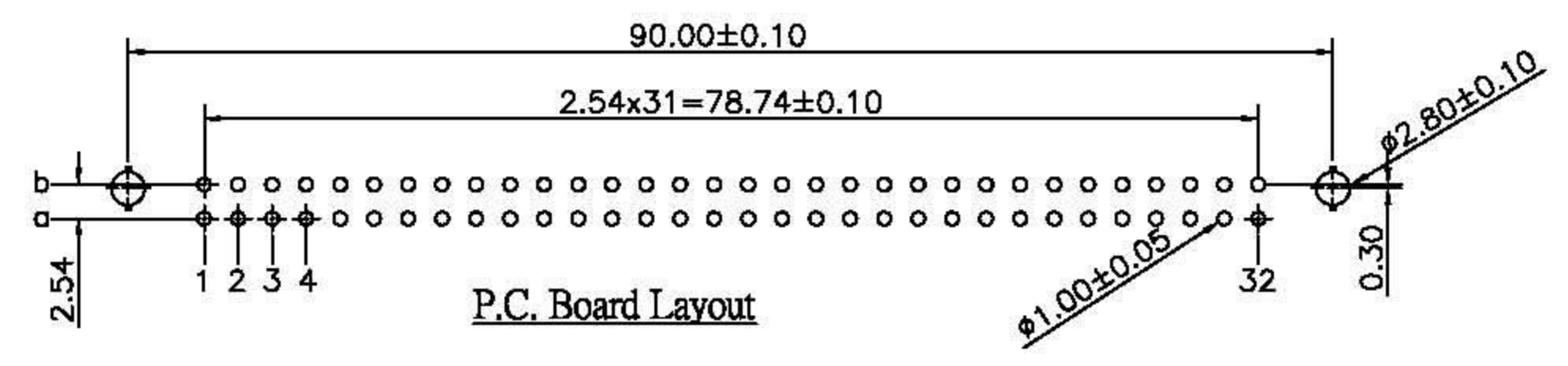
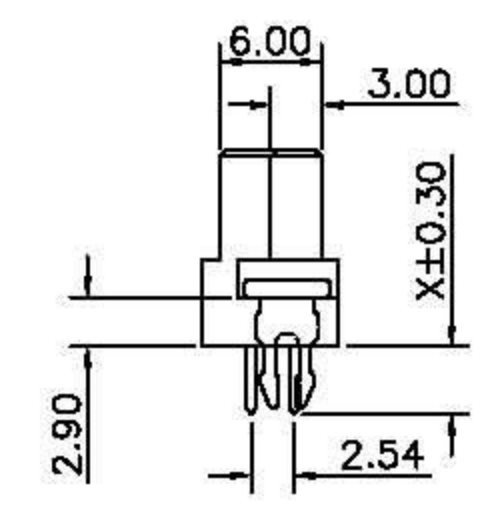
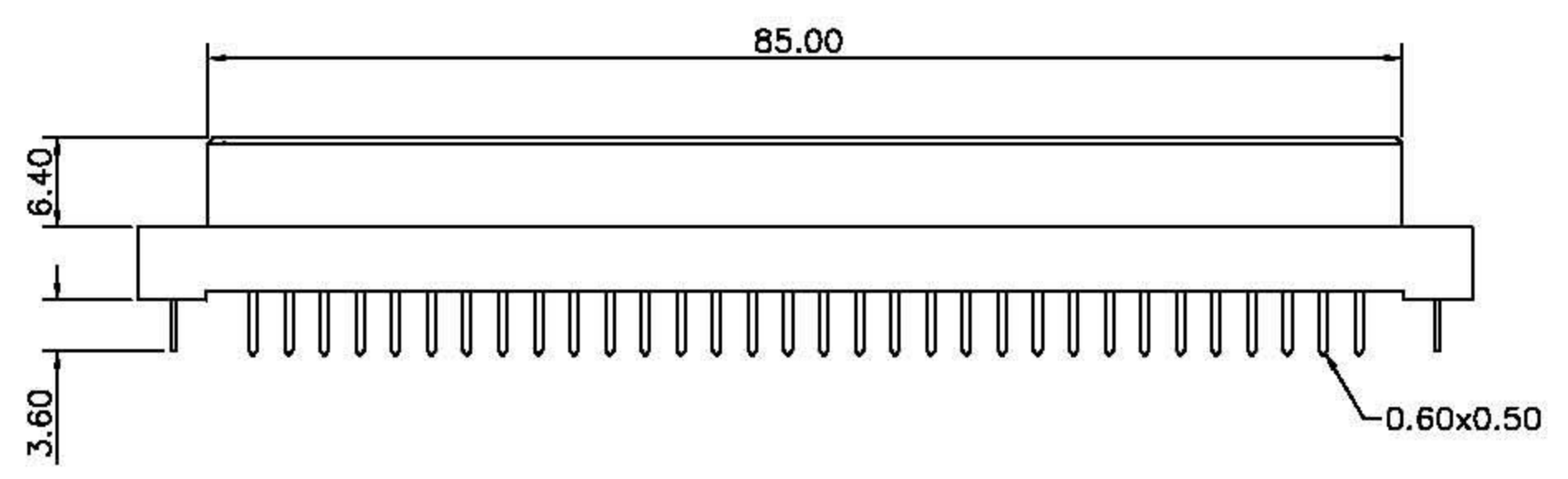
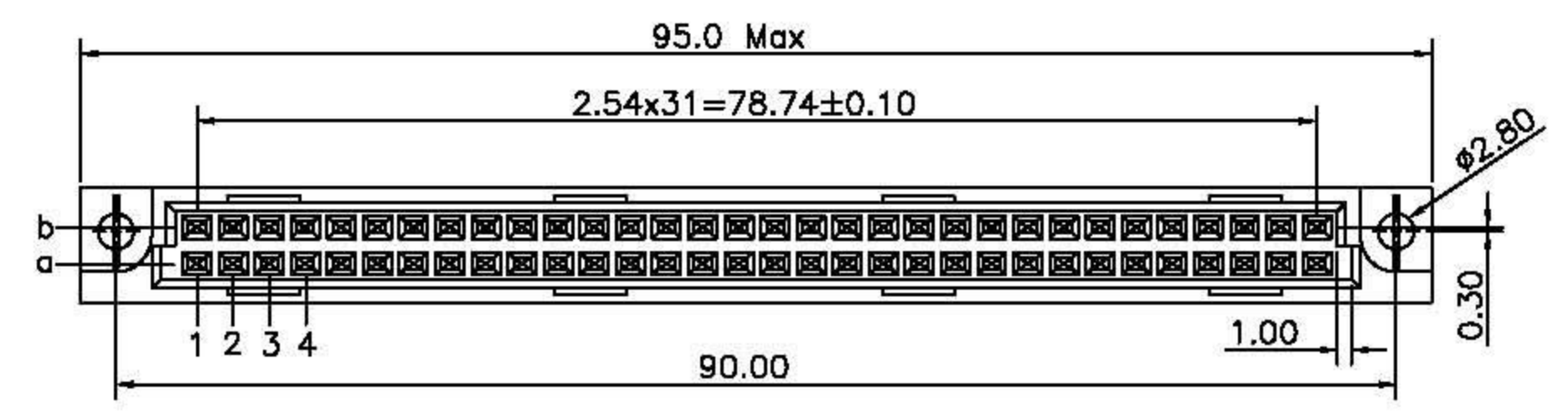
Material:

Housing: 30% Glass Filled PBT UL94V-0.
 Contacts: Phosphor Bronze.
 Lock: Phosphor Bronze.

Electrical Characteristics:

Current Rating: 2 A.
 Dielectric Withstanding Voltage: AC 1000V for 1minute.
 Insulator Resistance: 1000MΩ min. at DC 500V.
 Contact Resistance: 30mΩ max. at DC 100m A.
 Operating Temperature: -55°C ~ +105°C .

*** RoHS Compliant**



Tolerances		Drawn No.	Title:		GXCON ENTERPRISE CO., LTD			
x = ±0.5	Projection		DIN41612 B Type Female		P/N: DIN-264F100A			
.x = ±0.25	Unit	mm	Scale	1:1	SHEET	1/1	Ver. No.	A4
.xx = ±0.15	Drawn By	Liquihua10/22'07						