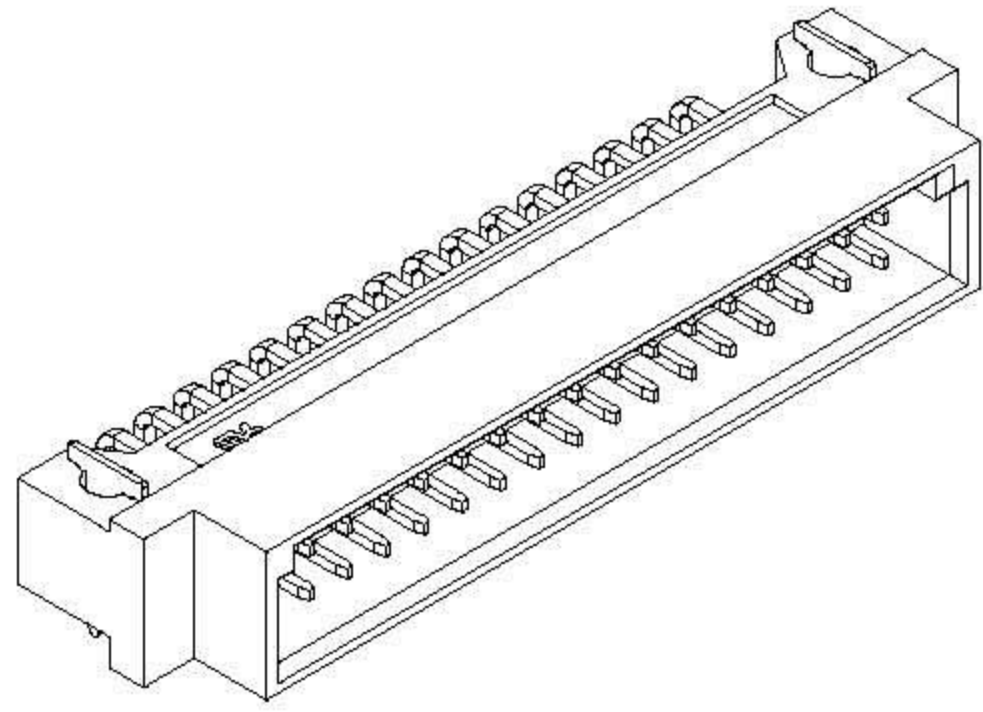
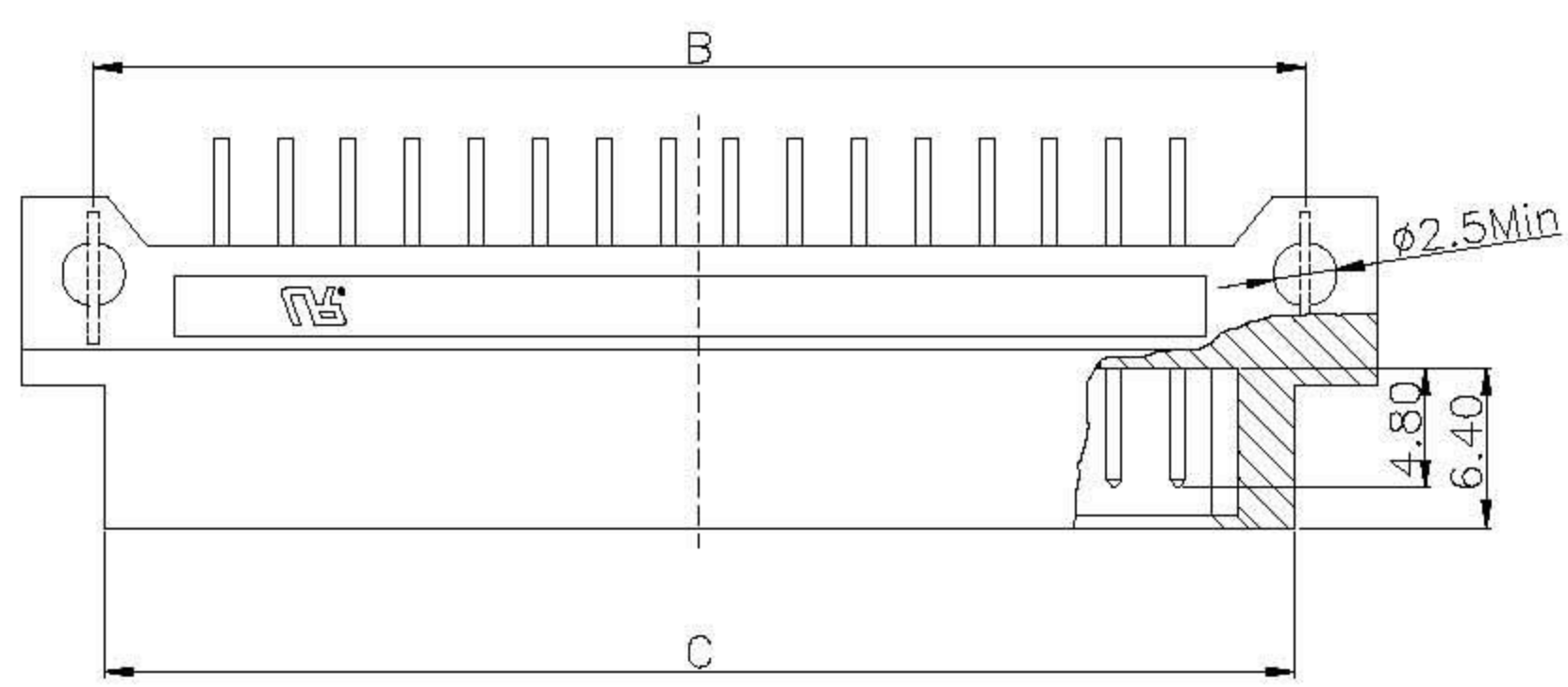
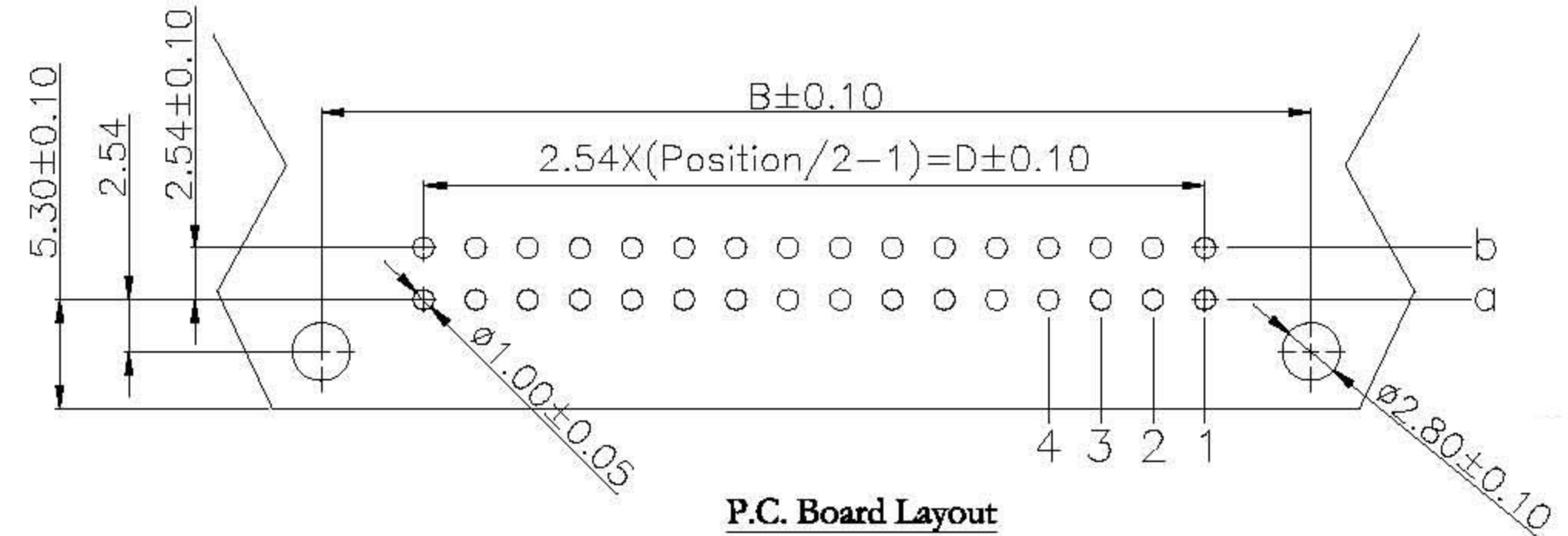
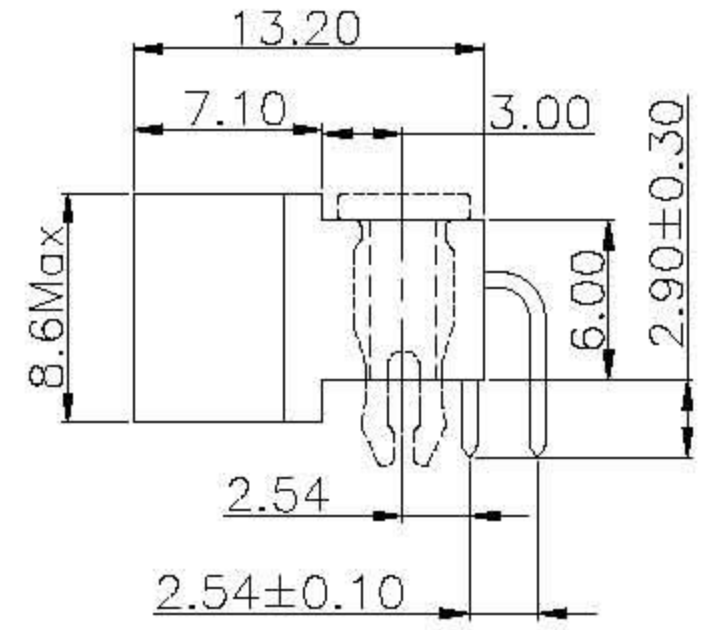
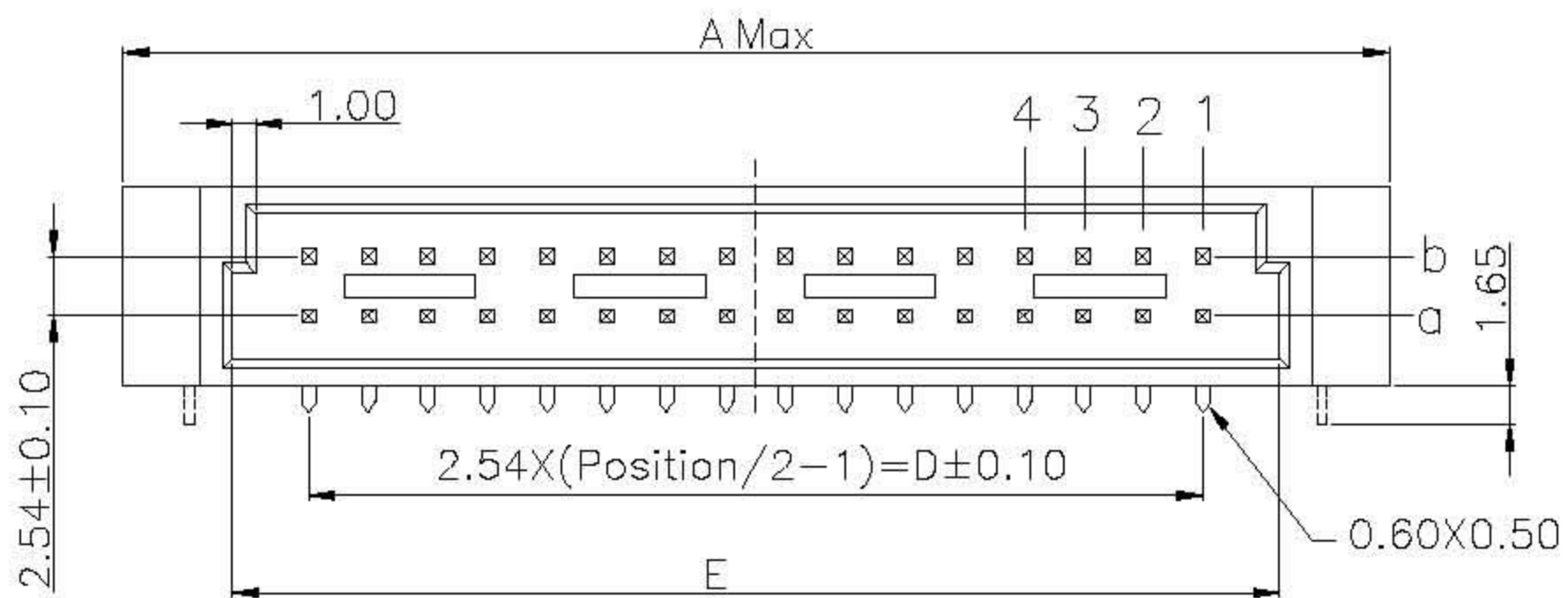


REV.	SPECIFICATION	ECN NO.	APPD.
R1			



Material:
Housing: 30% Glass Filled PBT UL94V-0.
Contacts: Brass.
Lock: Phosphor Bronze.
Electrical Characteristics:
Current Rating: 2 AMP.
Dielectric Withstanding Voltage: AC 1000V For 1 minute.
Insulator Resistance: 1000MΩ Min. at DC 500V.
Contact Resistance: 30mΩ Max. at DC 100mA.
Operating Temperature: -55°C ~+105°C .
***RoHS Compliant**



Pin	Dimension				
	A	B	C	D	E
44/22	69.24	63.50	62.64	53.34	59.95
32/16	54.00	48.26	47.40	38.10	44.60

DIN-244M200A		a b	44	44	2.54mm
DIN-232M200A		a b	32	32	
P/N	Contact Arrange	Rows with Contacts	Position	Pin	Pitch

Tolerances	Drawn No.	Title:	
x = ±0.5	Projection	DIN 41612	
.x = ±0.25	Unit mm	Half B Type Male	
.xx = ±0.15	Drawn By FHY09/24'08		

GXCON ENTERPRISE CO., LTD			
P/N: DIN-232M200A			
SHEET	1/1	Ver.No.	R1