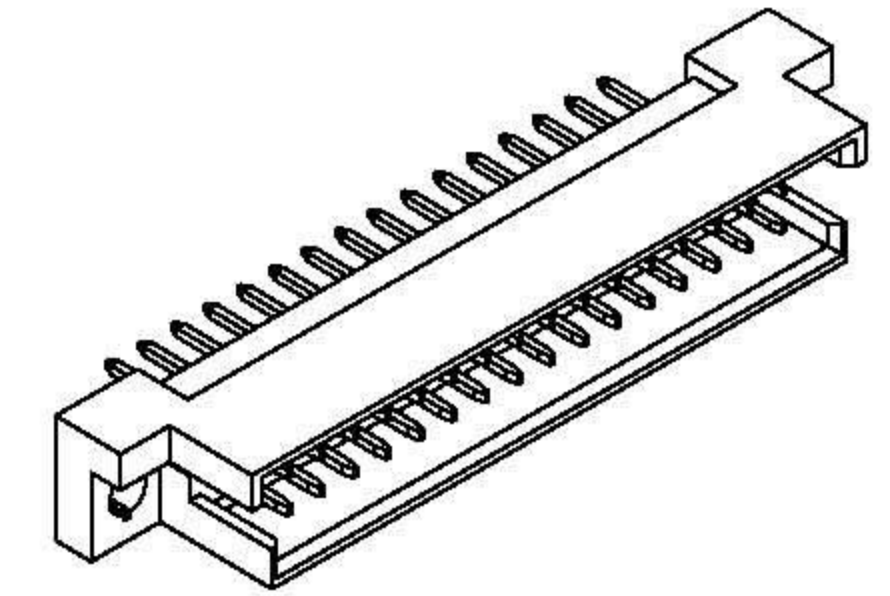
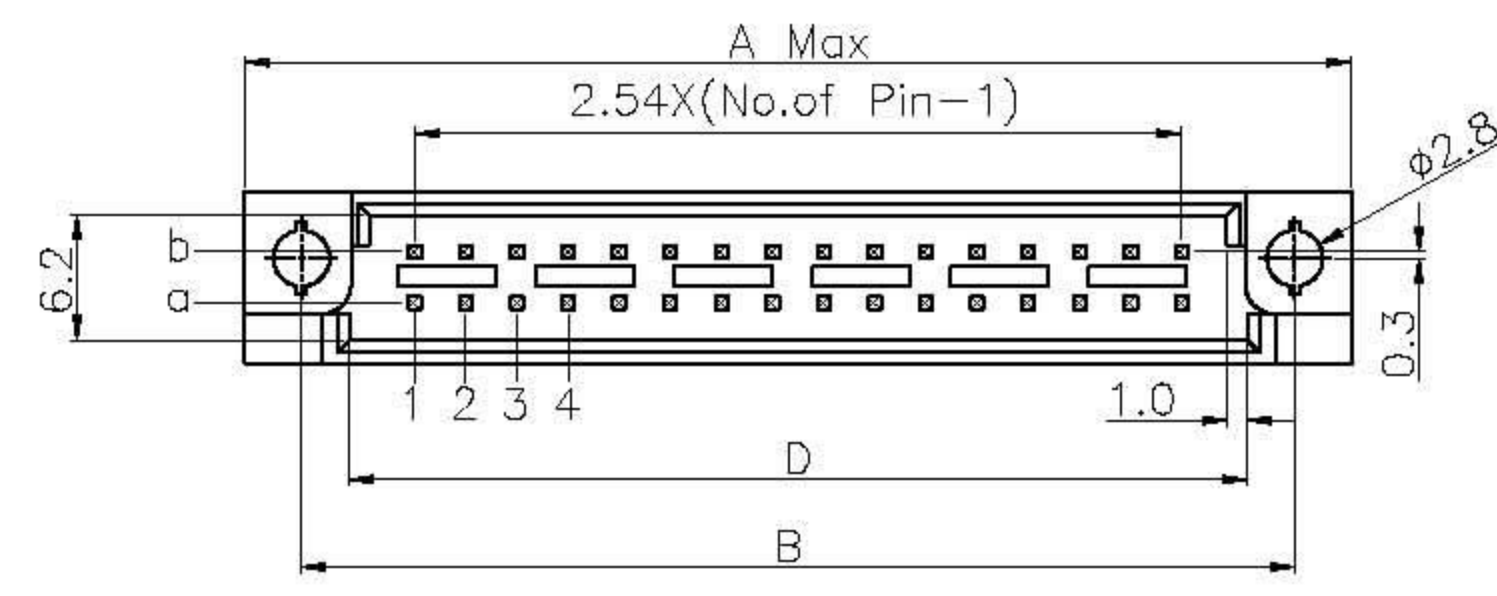
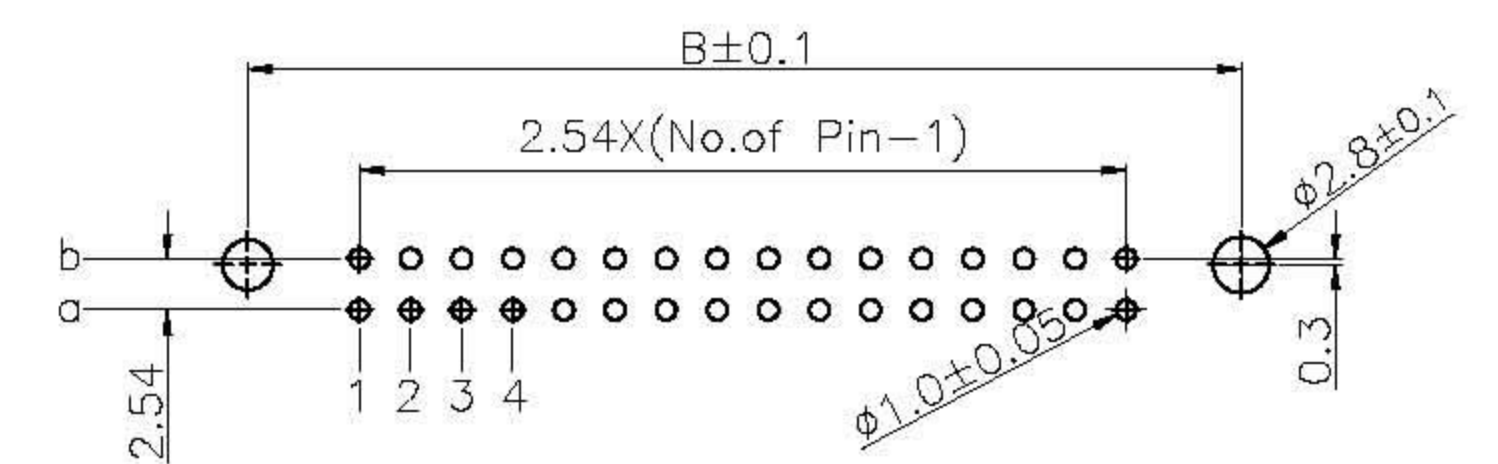
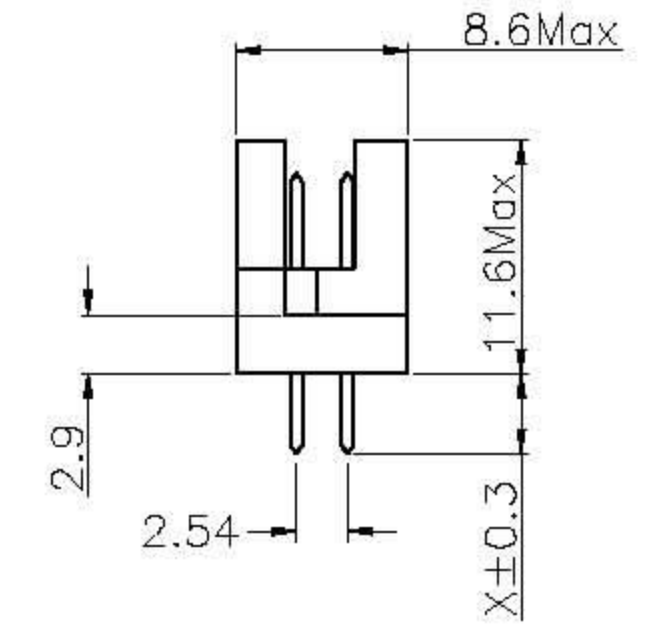
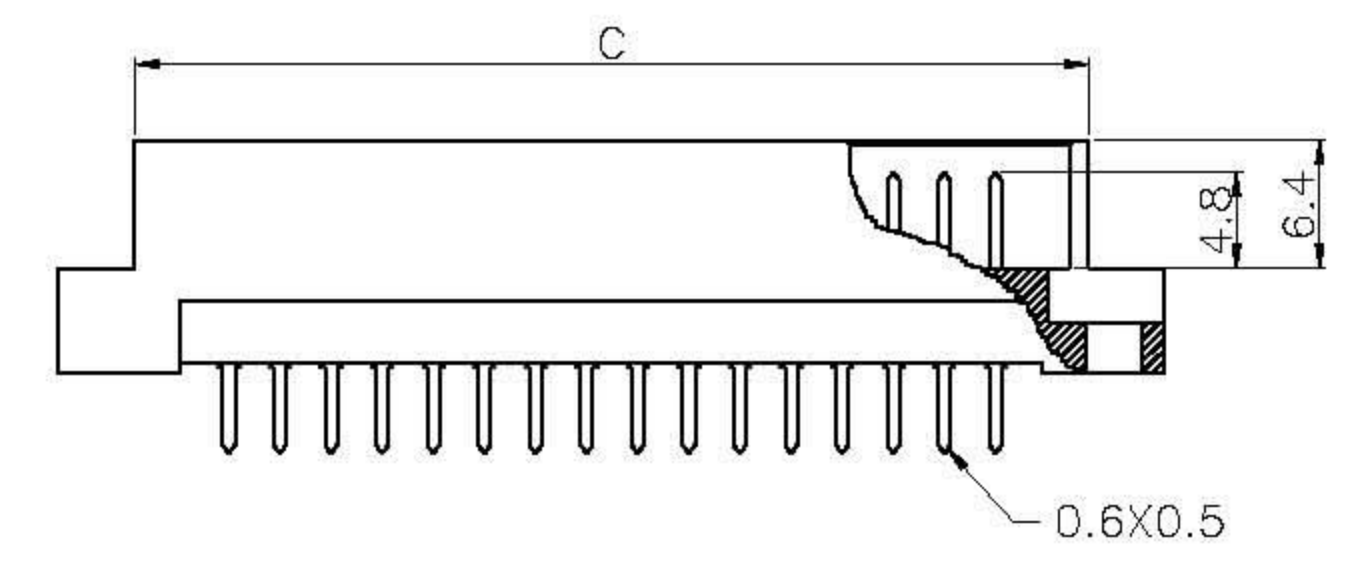


REV.	SPECIFICATION	ECN NO.	APPD.
A5		01/06'07	



Material:
Housing: 30% Glass filled PBT UL94V-0.
Contacts: Brass.

Electrical Characteristics:
Current Rating: 2 AMP.
Dielectric Withstanding Voltage: AC 1000V For 1 minute.
Insulator Resistance: 1000MΩ min. at DC 500V.
Contact Resistance: 30mΩ max. at DC 100mA.
Operating Temperature: -55°C~+105°C .
***RoHS Compliant**



P.C. Board Layout

X length	1	2	W1	W2
	4.0	2.5	13	17
Position	A	B	C	D
32/16	55.0	49.36	47.40	44.60
20/10	39.76	34.12	32.16	29.36
Pitch	Position	Rows with Contacts	Contact Arrange	P/N
	2.54mm	32	a b	9001-3732xCxxA
2.54mm	16	a -	9001-3716xCxxA	
	20	a b	9001-3720xCxxA	
2.54mm	10	a -	9001-3710xCxxA	

Tolerances	Drawn No.	Title:	
x = ±0.5	Projection		
.x = ±0.25	Unit mm	Scale	1:1
.xx = ±0.15	Drawn By	CHMEI01/06'07	

DIN41612		GXCON ENTERPRISE CO., LTD	
Half Q Type Male		P/N: DIN-232M100A	
SHEET	1/1	Ver.No.	A5