

REV.	SPECIFICATION	ECN NO.	APPD.
A3	Alter (A3)		

(A3)

**Material:**

Housing: 30% Glass filled PBT UL94V-0.

Contacts: Phosphor Bronze.

Lock: Phosphor Bronze.

**Electrical Characteristics:**

Current Rating: 2 AMP.

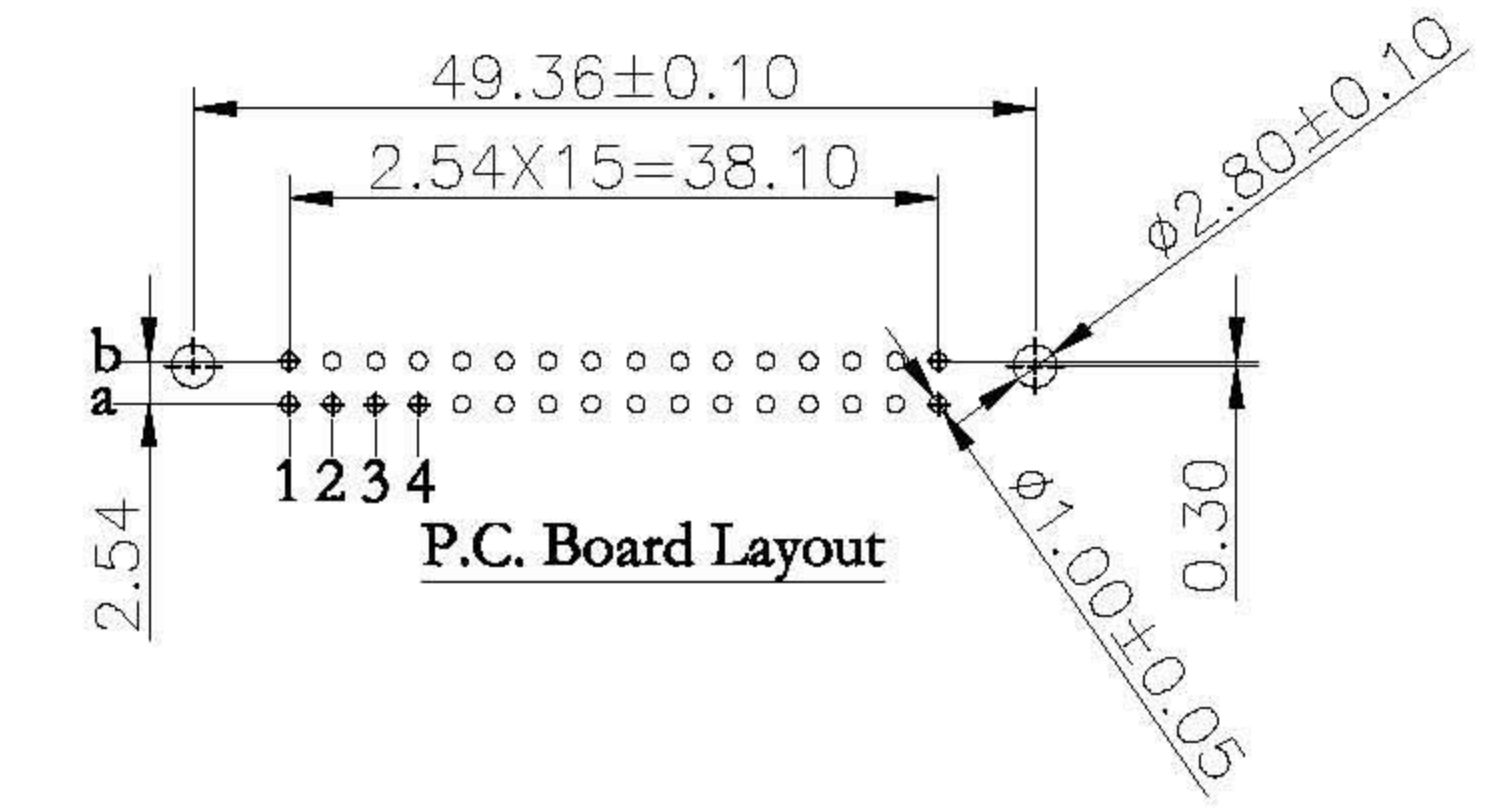
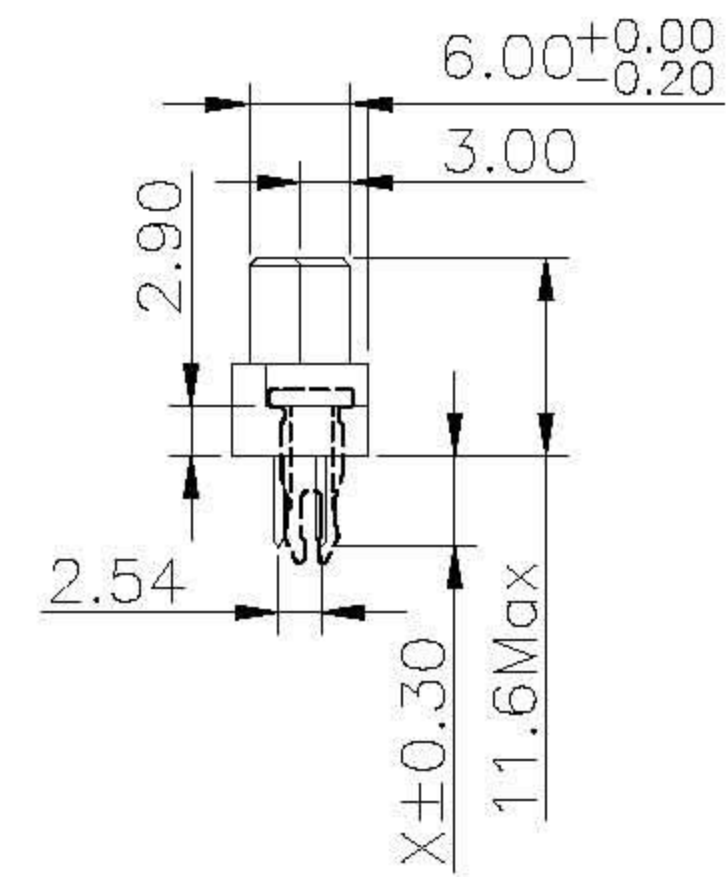
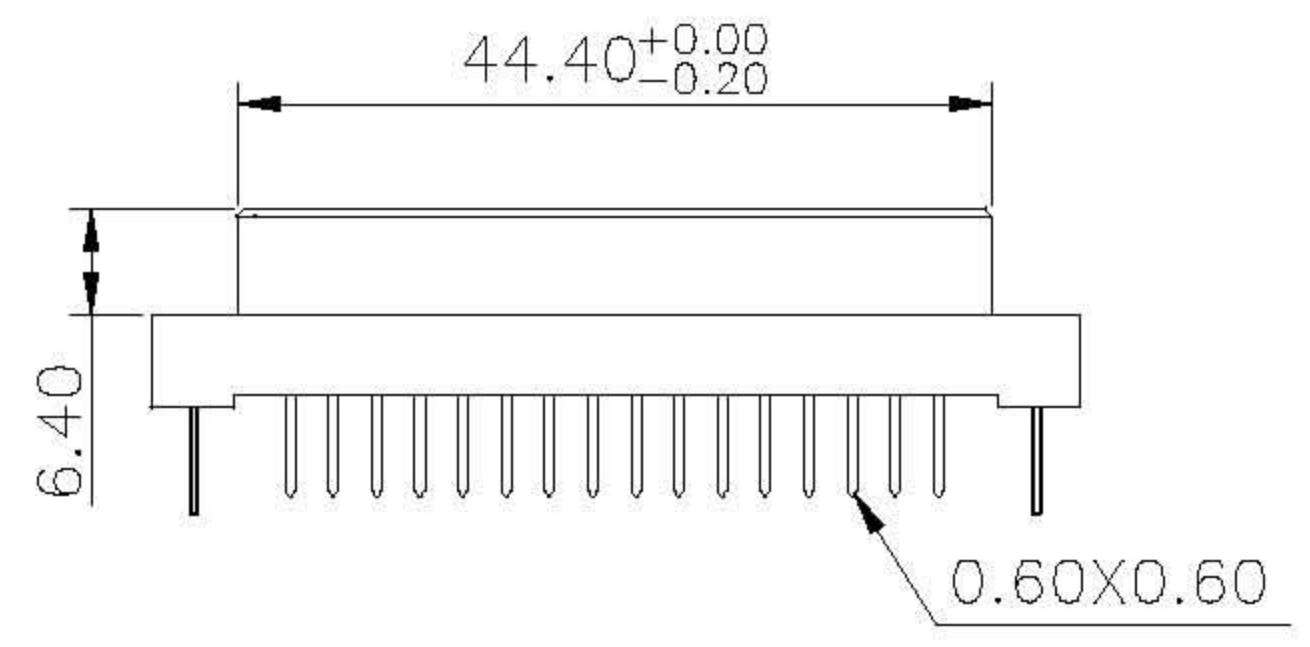
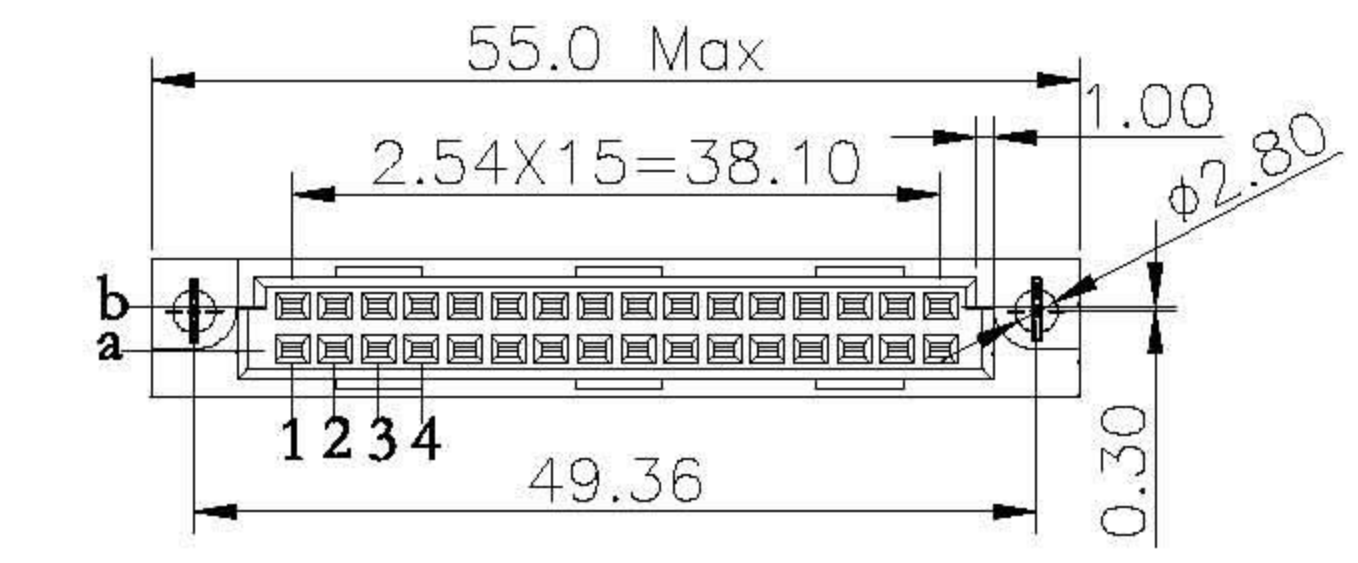
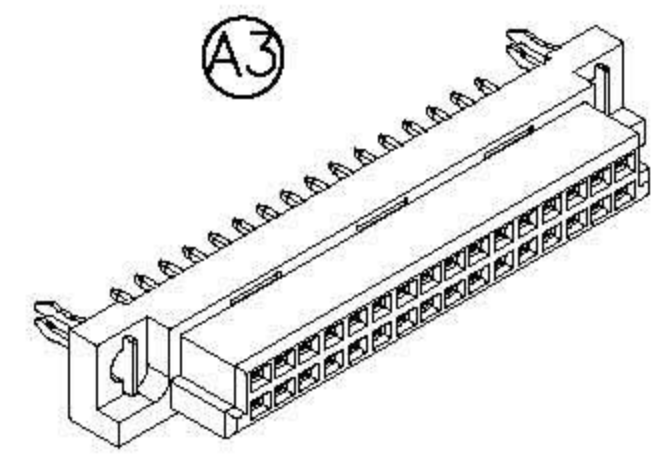
Dielectric Withstanding Voltage: AC 1000V For 1 minute.

Insulator Resistance: 1000MΩ min. at DC 500V.

Contact Resistance: 30mΩ max. at DC 100mA.

Operating Temperature: -55°C ~+105°C .

**\*RoHS Compliant**



<b>Tolerances</b> x = ±0.5 .x = ±0.25 .xx = ±0.15	<b>Drawn No.</b>	<b>Title:</b>		GXCON ENTERPRISE CO., LTD			
	<b>Projection</b>						
	<b>Unit</b> mm	<b>Scale</b>	1:1	<b>SHEET</b>	1/1	<b>Ver.No.</b>	A3
	<b>Drawn By</b>	GUO XIAOZHEN 3/8'07		DIN41612 Half B Type Female			