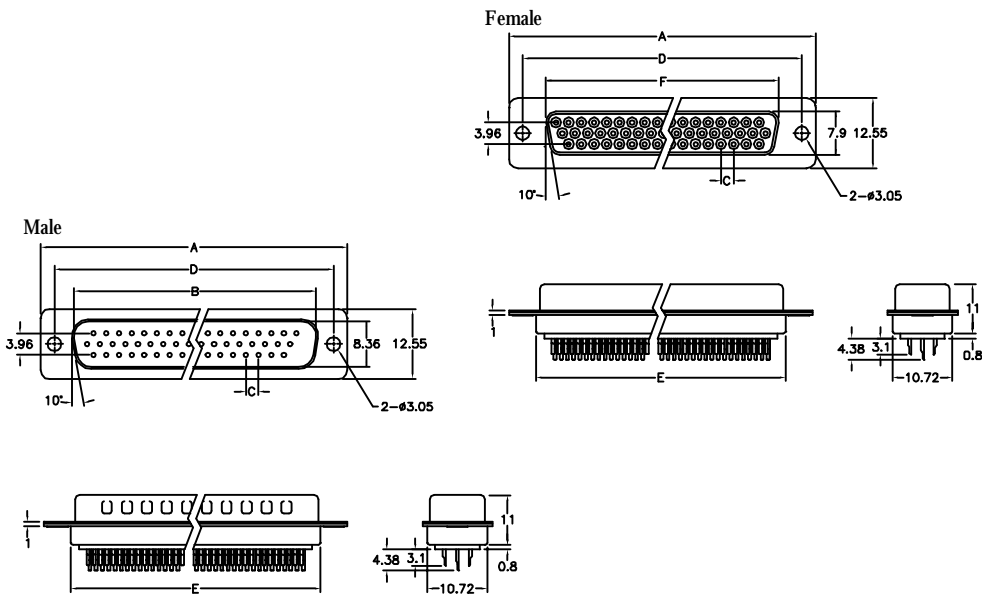


Material:
 Housing: 30% Glass filled PBT UL94V-0.
 Contacts: Brass.
 Plating: Gold plated.

Electrical Characteristics:
 Current Rating: 1 AMP.
 Insulator Resistance: 5000MΩmin. at DC 500V.
 Contact Resistance: 20mΩmax. at DC 100mA.
 Operating Temperature: -55°C~+105°C.

Features:
 * UL cUL Listing.



Position	Dimension					
	A	B	C	D	E	F
15	30.81	16.92	2.29	24.99	19.3	16.33
26	39.14	25.25	2.29	33.32	27.5	24.66
44	53.04	38.96	2.29	47.04	41.3	38.38
62	69.32	55.42	2.41	63.50	57.7	54.84

Ordering information

HDB07- 62 M I B 3 N1
 Series Position M: Male T: Tin Shell B: Black 3: Selective Gold Plated Blank: Standard Type
 F: Female E: Zinc Shell U: Blue N1: See Page B52
 W: White