

Material:

Housing: High temperature housing UL94V-0 withstands IR and VPR soldering methods.

Contacts: Phosphor Bronze.

Plating: Selective Gold plated.

Electrical Characteristics:

Current Rating: 1 AMP.

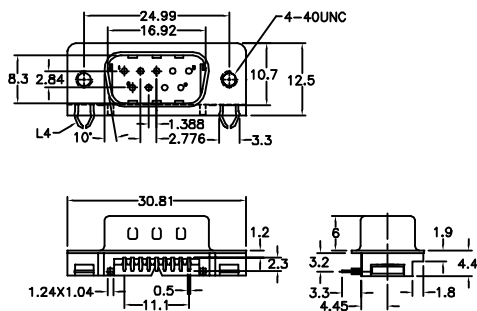
Insulator Resistance: 5000MΩmin. at DC 500V.

Contact Resistance: 20mΩmax. at DC 100mA.

Operating Temperature: -65°C ~ +125°C.

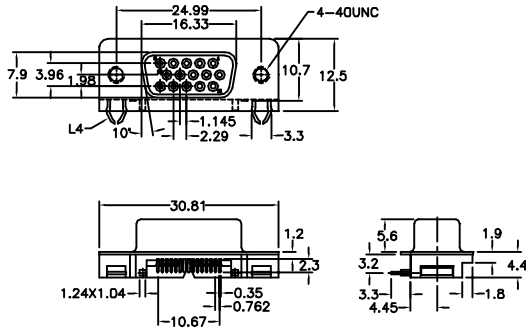
Max Processing Temperature: 230°C for 30~60 seconds.

DB02-09 Male



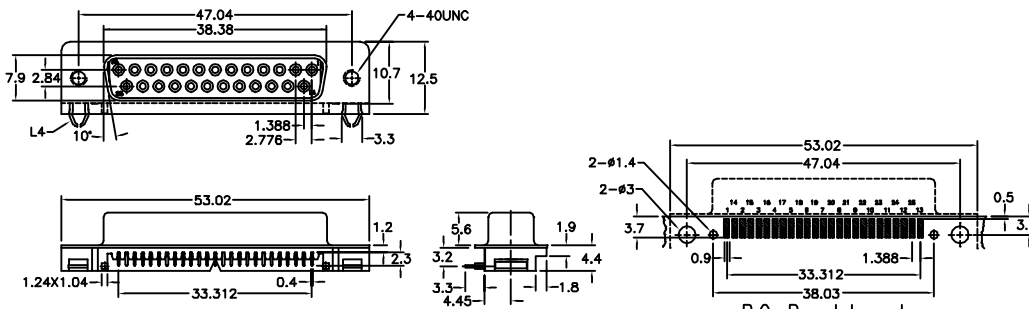
P.C. Board Layout
DB02-09M33/L4

DB22-15 Female



P.C. Board Layout
DB22-15F33/L4

DB02-25 Female



P.C. Board Layout
DB02-25F33/L4

Ordering information

DB02- 09 M 3 3 /L4
Series Position Male 3: Selective Gold Plated 3: S.M.D. Type Lock Type See Above

DB22- 15 F
Series Position Female

DB02- 25 F
Series Position Female