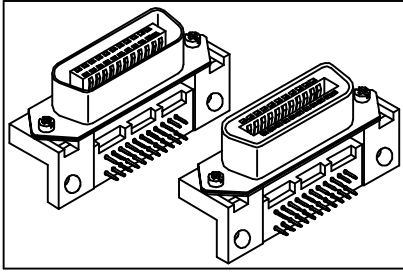


# Centronic Connector Right Angle Type

# GXCON

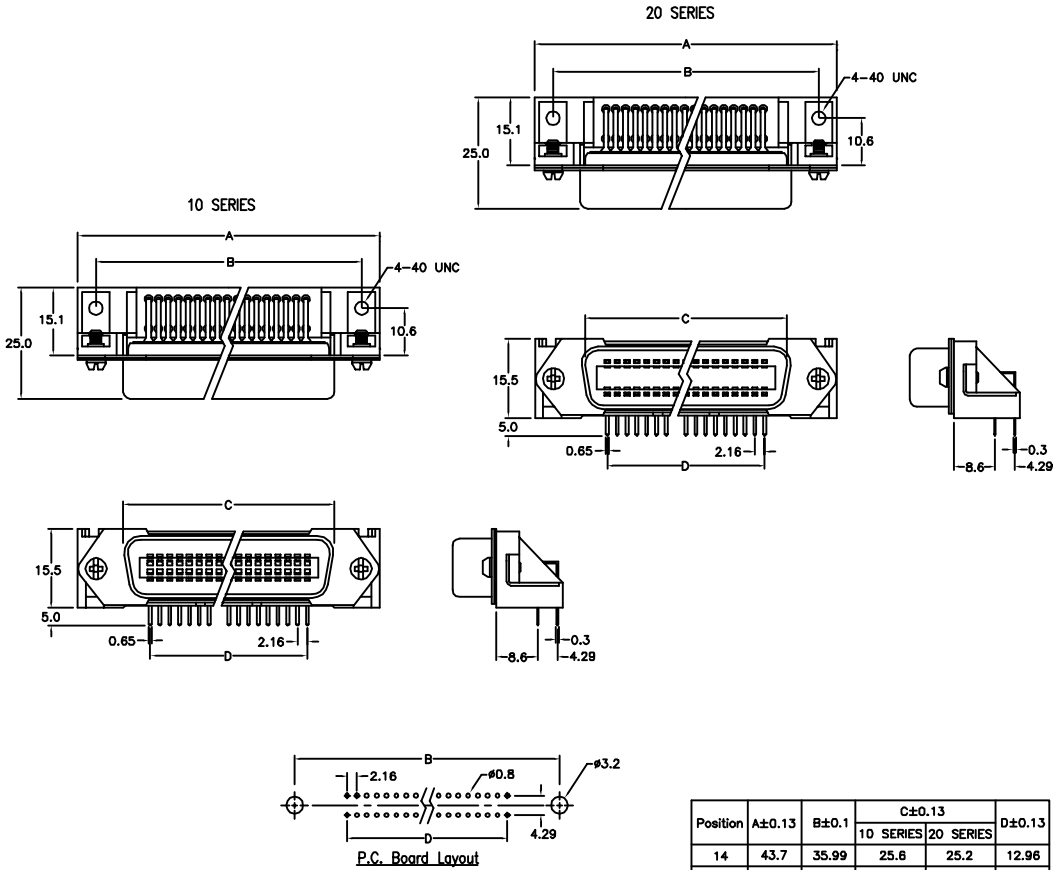


**Material:**

Housing: PBT, UL94V-0 Rated.  
 Contacts: Phosphor Bronze.  
 Plating: Selective gold plated on contact area nickel.  
 Shell: Cold Roller Steel.

**Electrical Characteristics:**

Current Rating: 1 AMP.  
 Dielectric Withstanding Voltage: AC 1000V For 1 minute.  
 Insulator Resistance: 1000MΩmin. at DC 500V.  
 Contact Resistance: 30mΩmax.  
 Operating Temperature: -55°C~+105°C.



Position	A±0.13	B±0.1	C±0.13		D±0.13
			10 SERIES	20 SERIES	
14	43.7	35.99	25.8	25.2	12.98
24	54.5	46.79	36.47	36.0	23.76
36	67.8	59.74	49.35	48.9	36.72
50	82.8	74.85	64.47	64.0	51.84

**Ordering information**

573- 10 500  
 Series 10: Male 140: 14 Pin  
 20: Female 240: 24 Pin  
 360: 36 Pin  
 500: 50 Pin